

OBERHEIM ELECTRONICS INC.

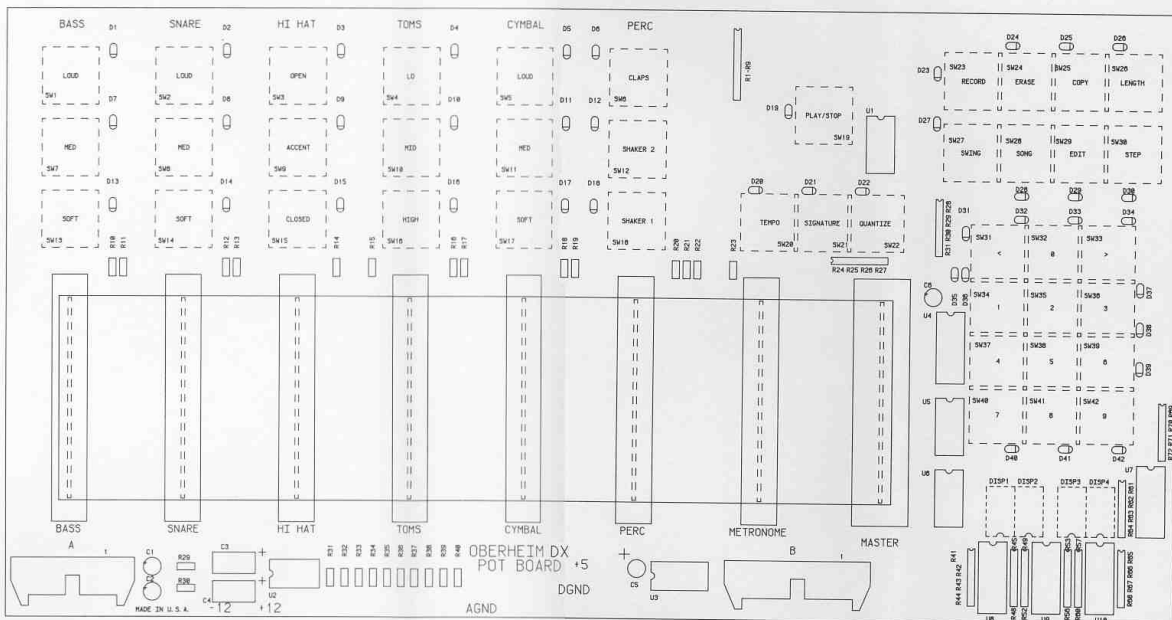
- SCHEMATIC -

DX SWITCH BOARD

A	INITIAL RELEASE	5-15-82
LTR	REVISION	DATE

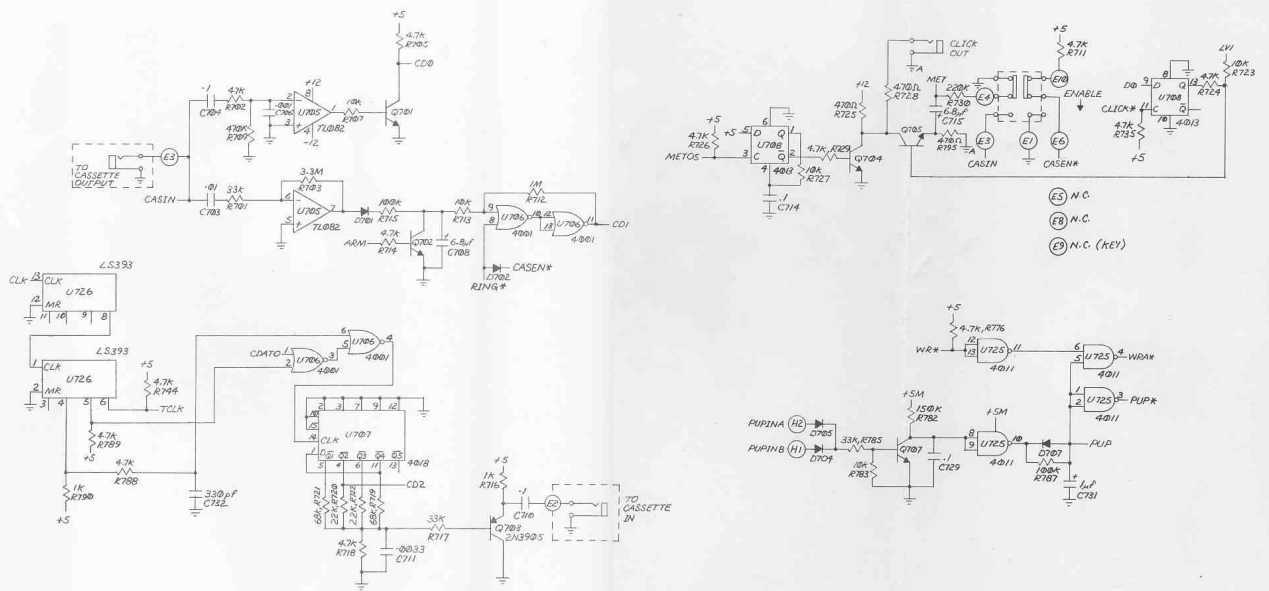
J.R.

1722A



OBERHEIM ELECTRONICS, INC.

SCALE:	APPROVED BY:	DRAWN BY: <i>FC 80</i>
DATE:		REVISED:
<i>PARTS LAYOUT</i>		
<i>DX POT BOARD REV. C</i>		
		DRAWING NUMBER



OBERHEIM ELECTRONICS INC.

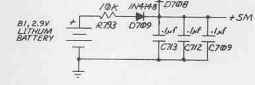
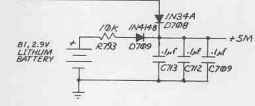
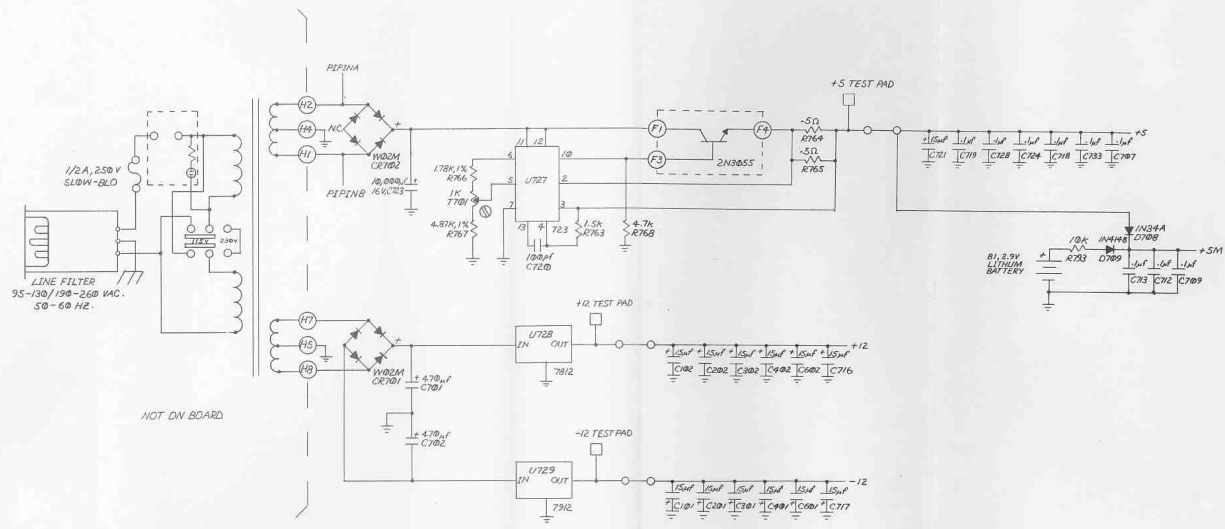
-SCHEMATIC-

DX PROCESSOR BOARD

J.R.

SHEET 2
OF 7

1721A



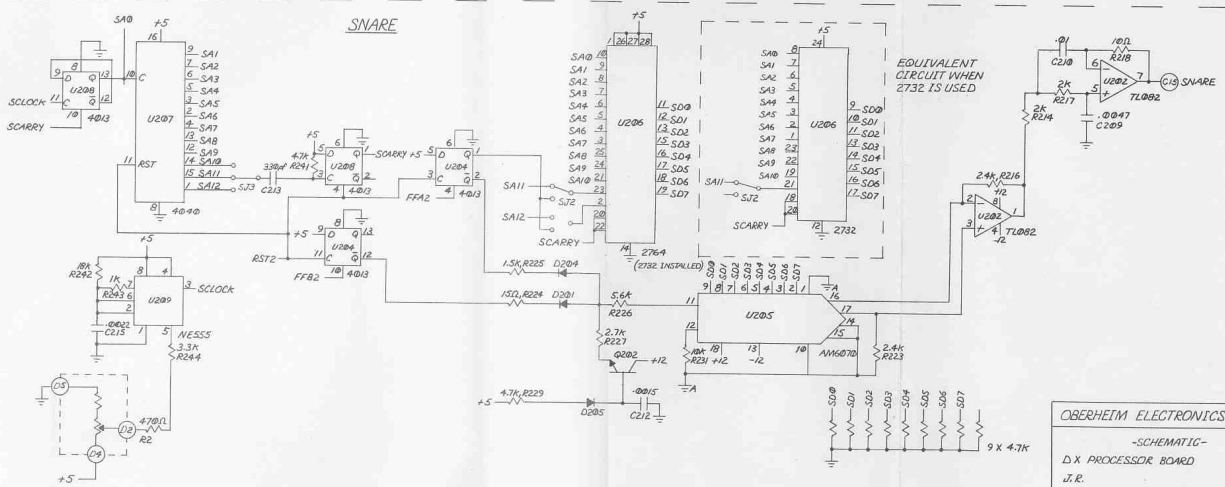
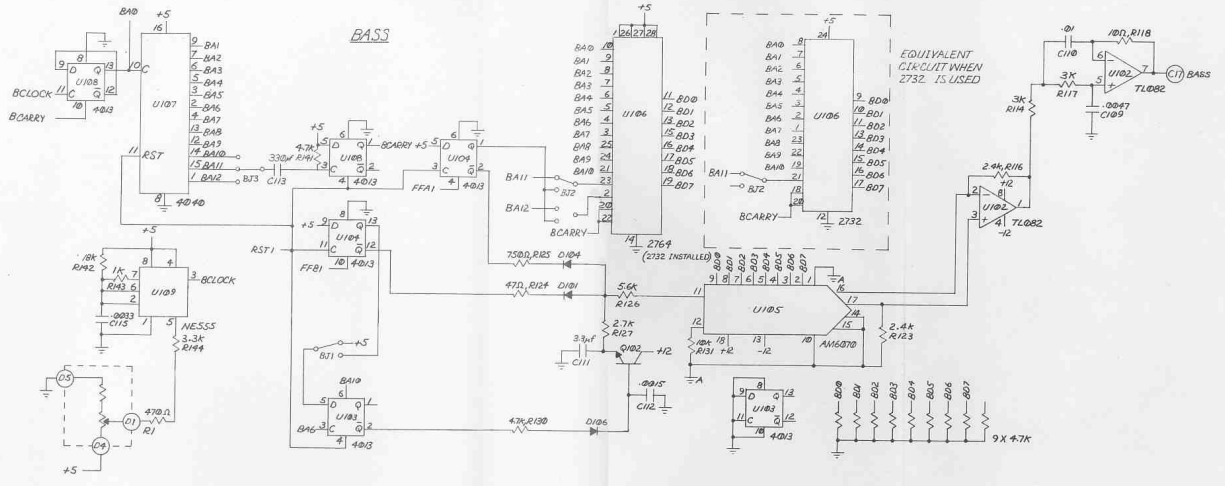
R 76
 S 101 101-102, 102-101
 C 501

OBERHEIM ELECTRONICS INC.

-SCHEMATIC-
 DX PROCESSOR BOARD

SHEET 3
 OF 7

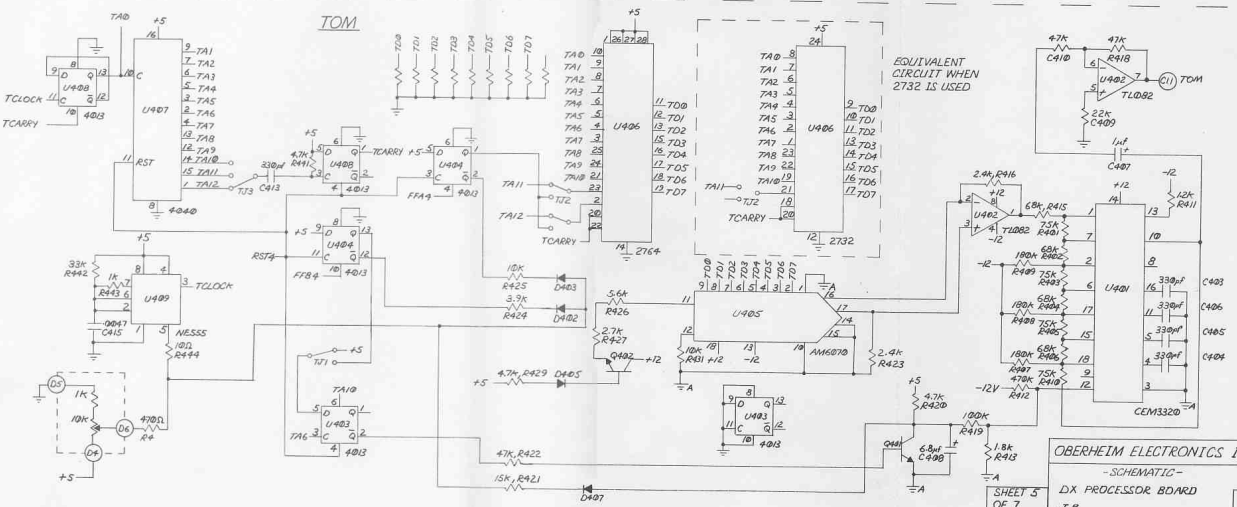
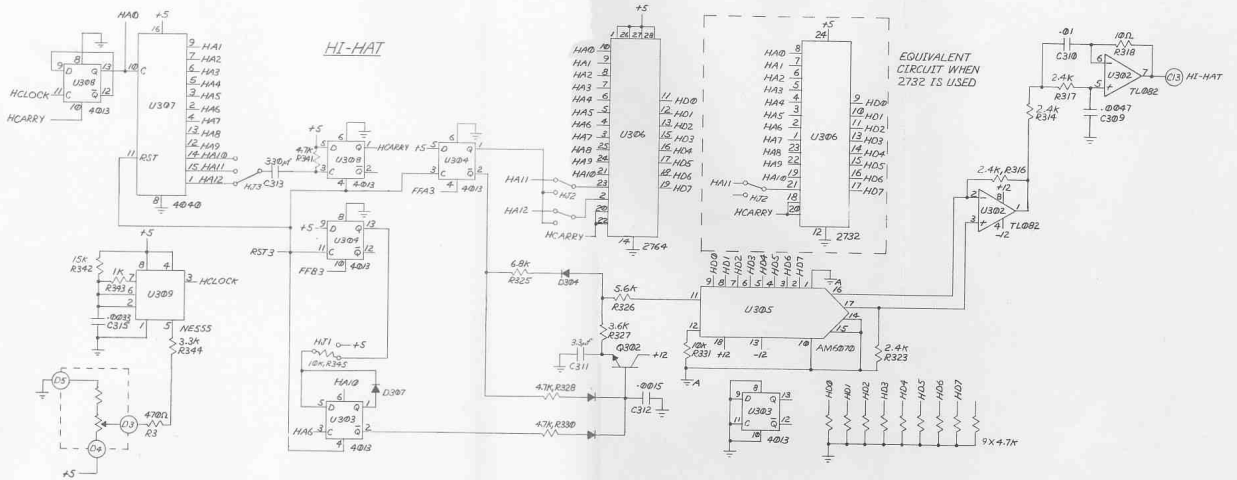
1721A



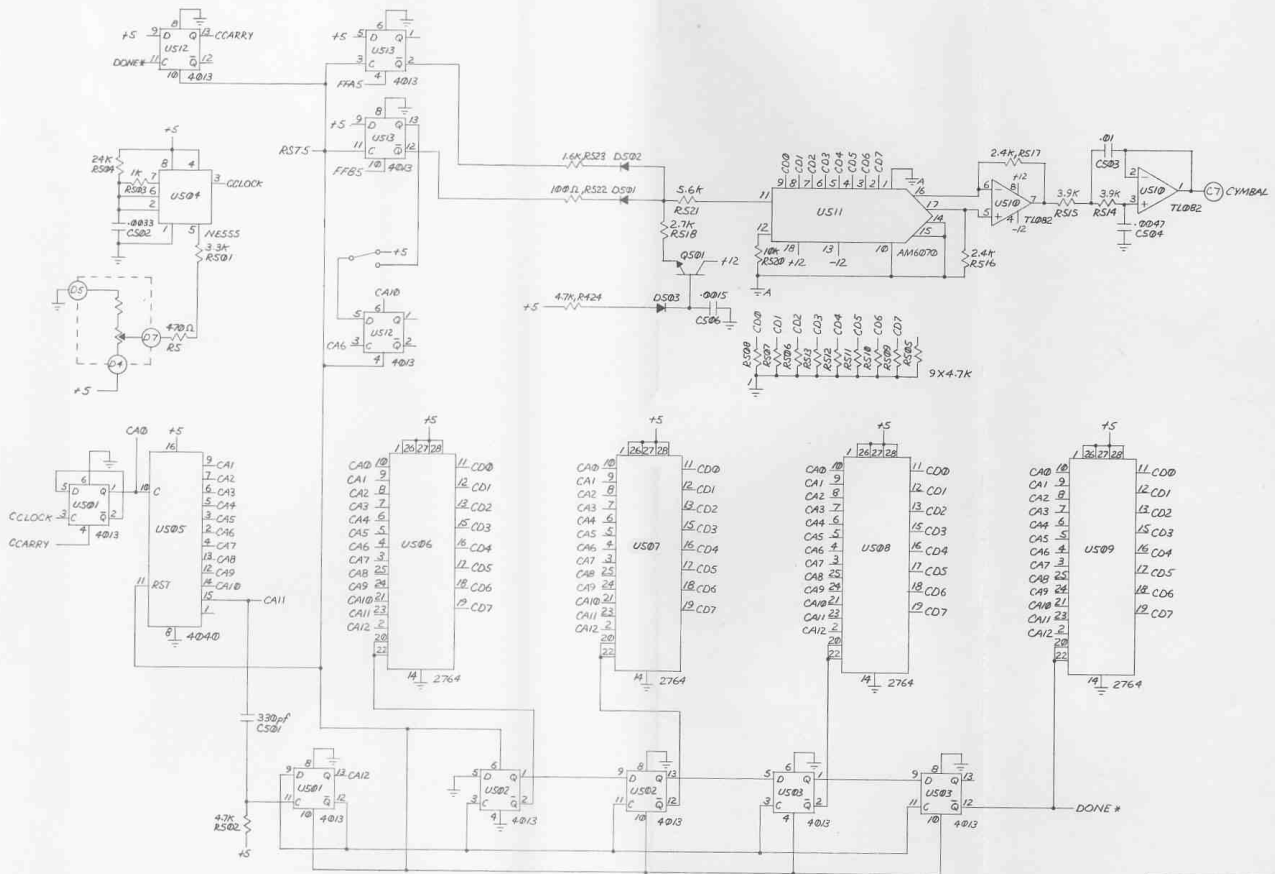
OBERHEIM ELECTRONICS INC.
-SCHEMATIC-
D X PROCESSOR BOARD
J.R.

SHEET 4
OF 7

1721A



CYMBAL

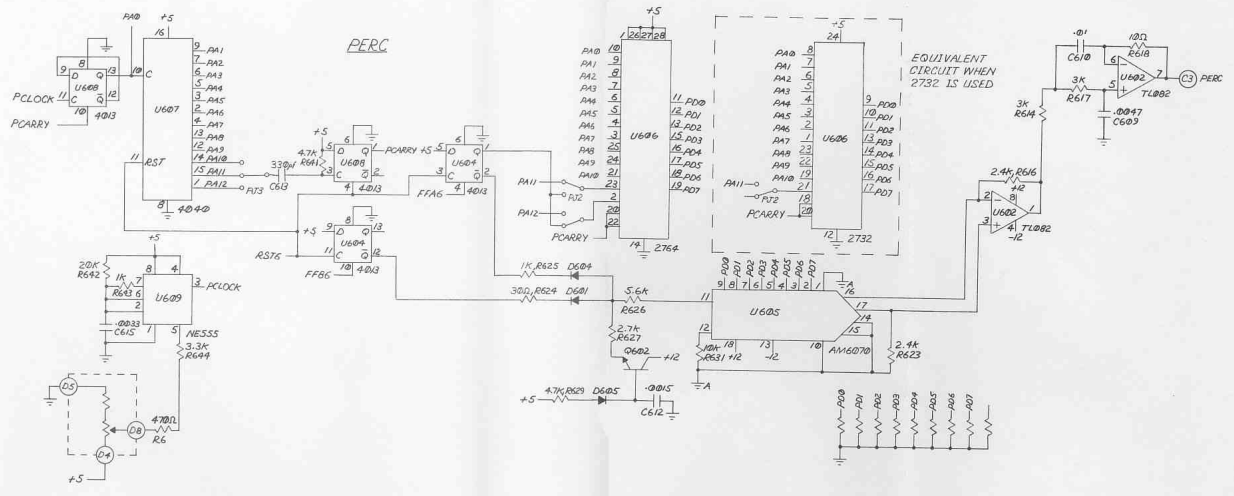


OBERHEIM ELECTRONICS INC.

- SCHEMATIC -
DX PROCESSOR BOARD
J.R.

SHEET 6
OF 7

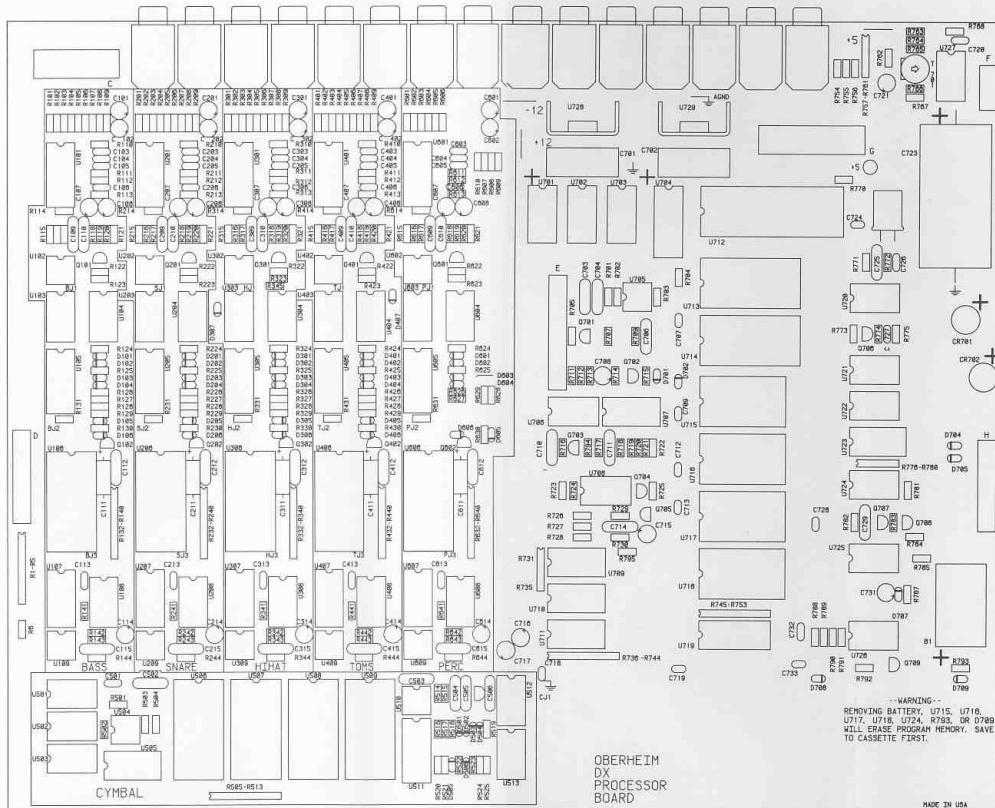
1721A



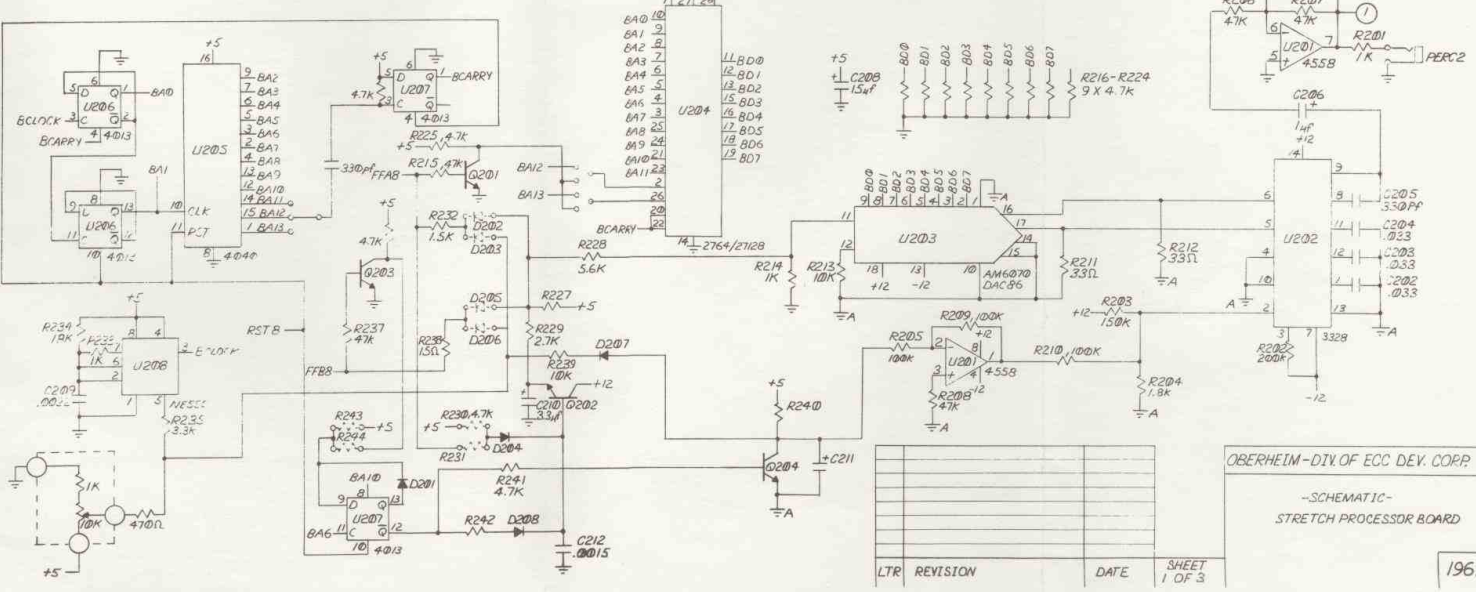
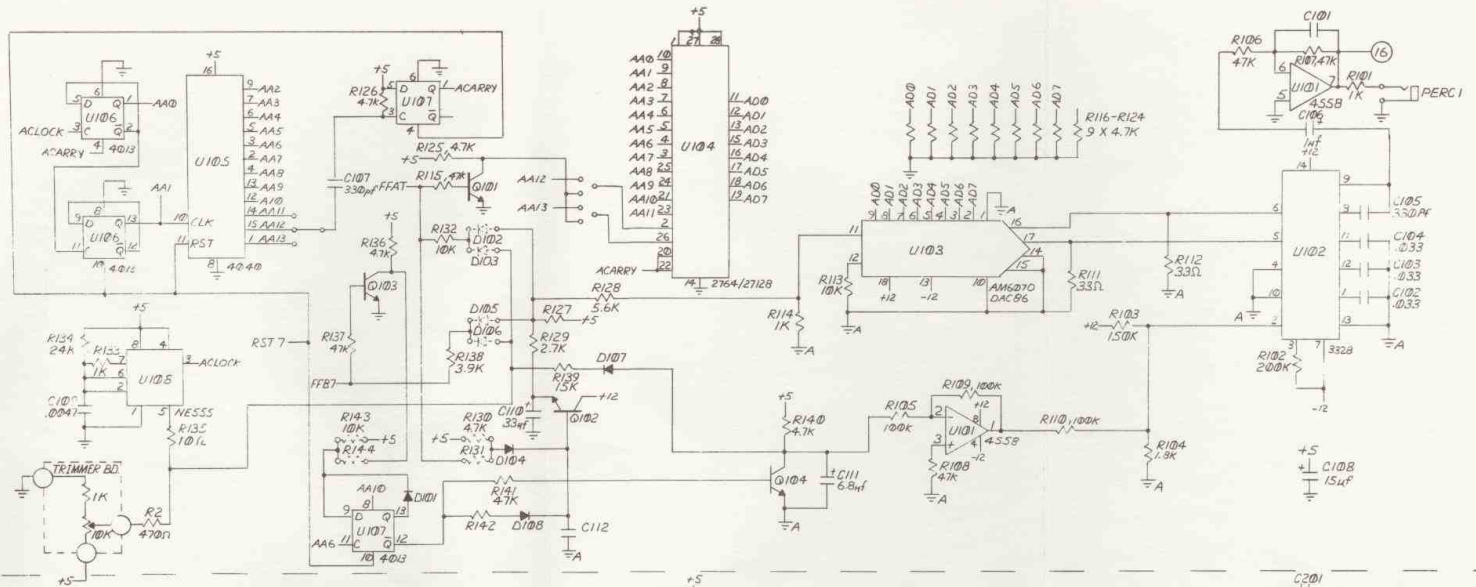
OBERHEIM ELECTRONICS INC.
 - SCHEMATIC -
 DX PROCESSOR BOARD
 J.R.

SHEET 7
 OF 7

1721A

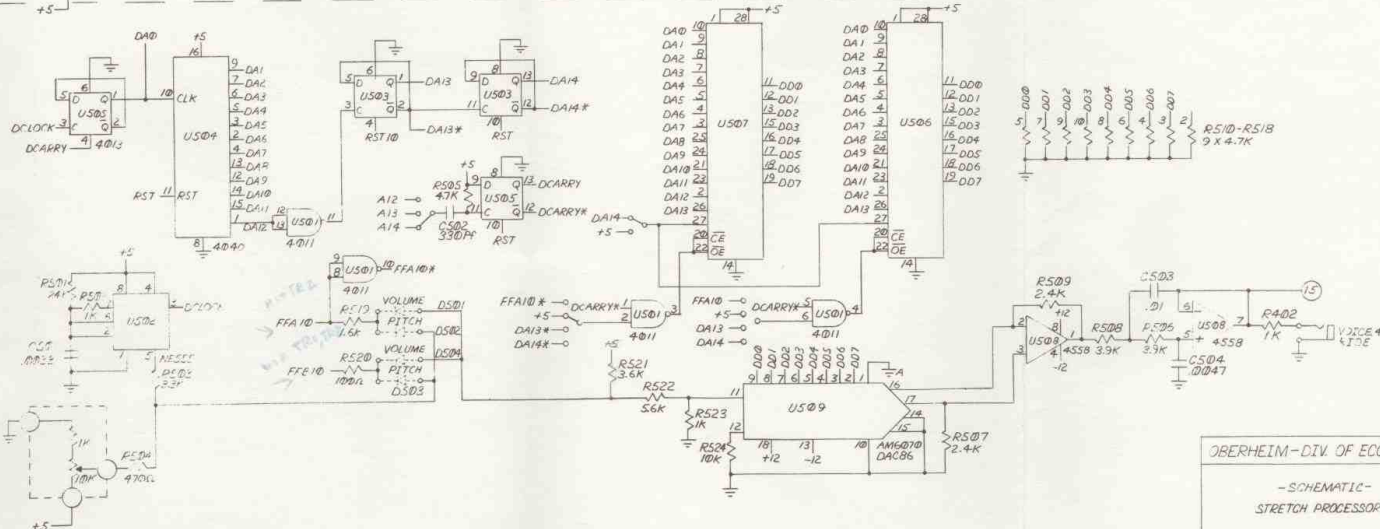
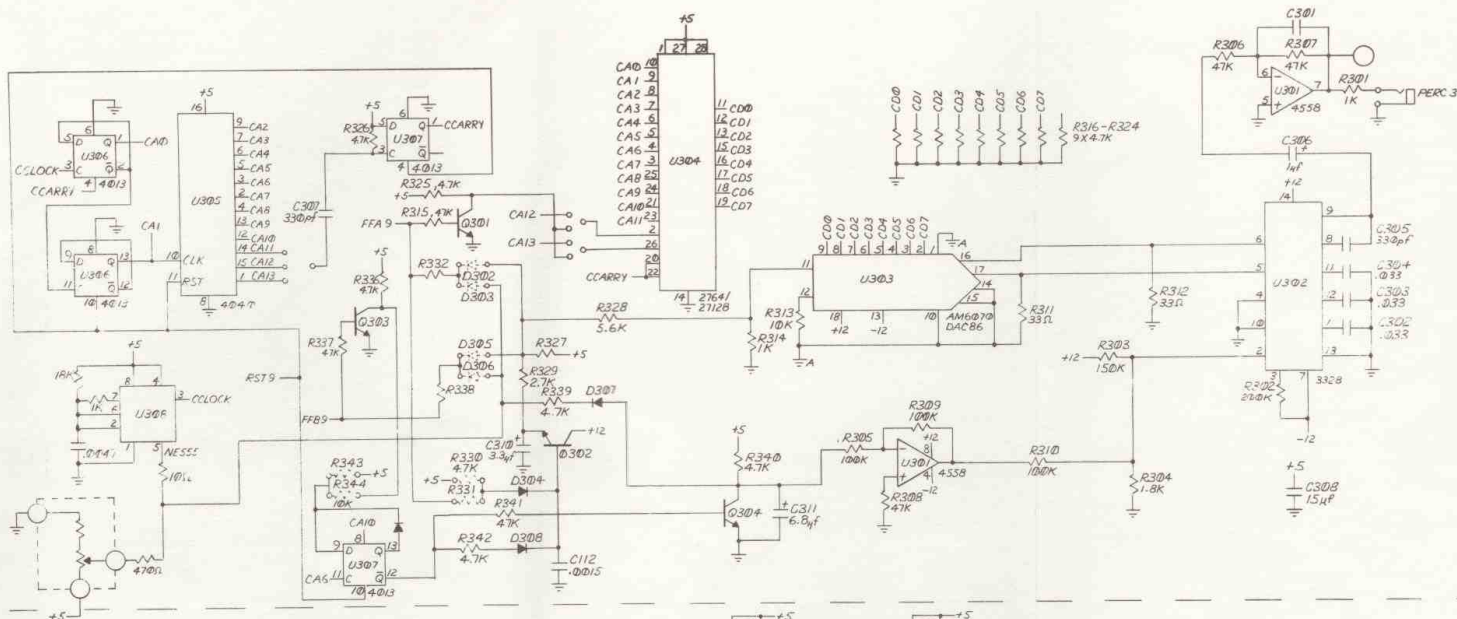


OBERHEIM ELECTRONICS, INC.		
SCALE:	APPROVED BY:	DRAWN BY J.C. RO
DATE:		REVISED
PARTS LAYOUT		
DX PROCESSOR BOARD REV. C		
		DRAWING NUMBER

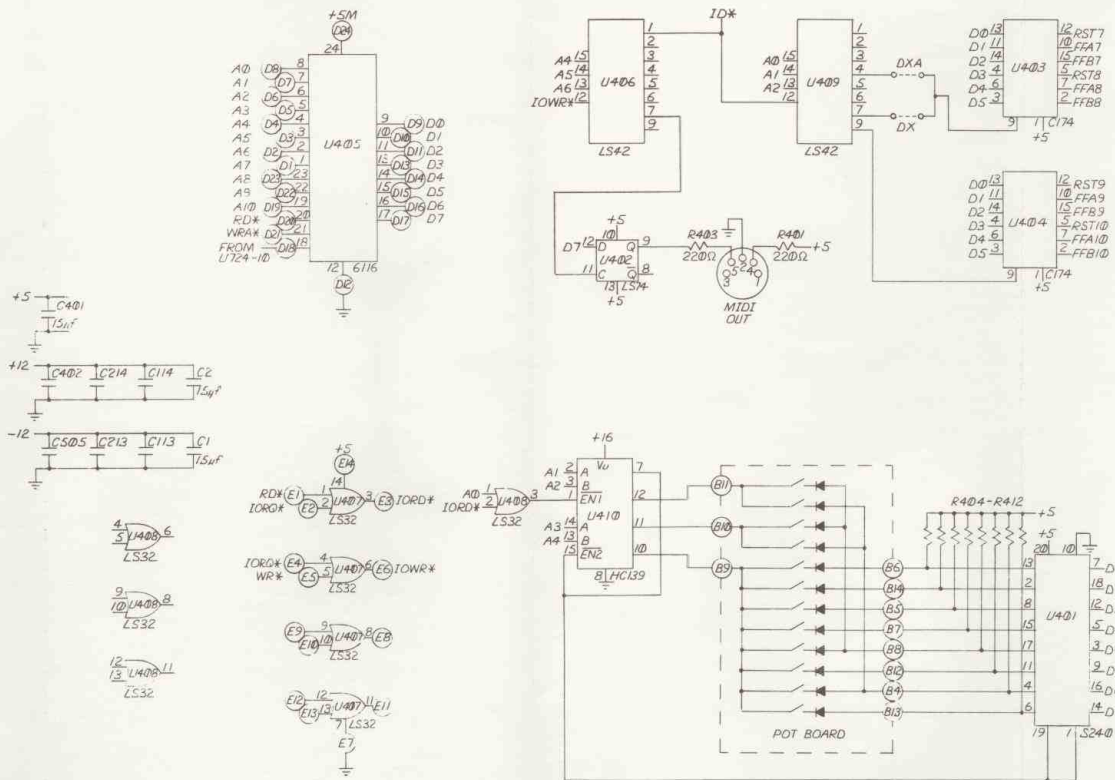


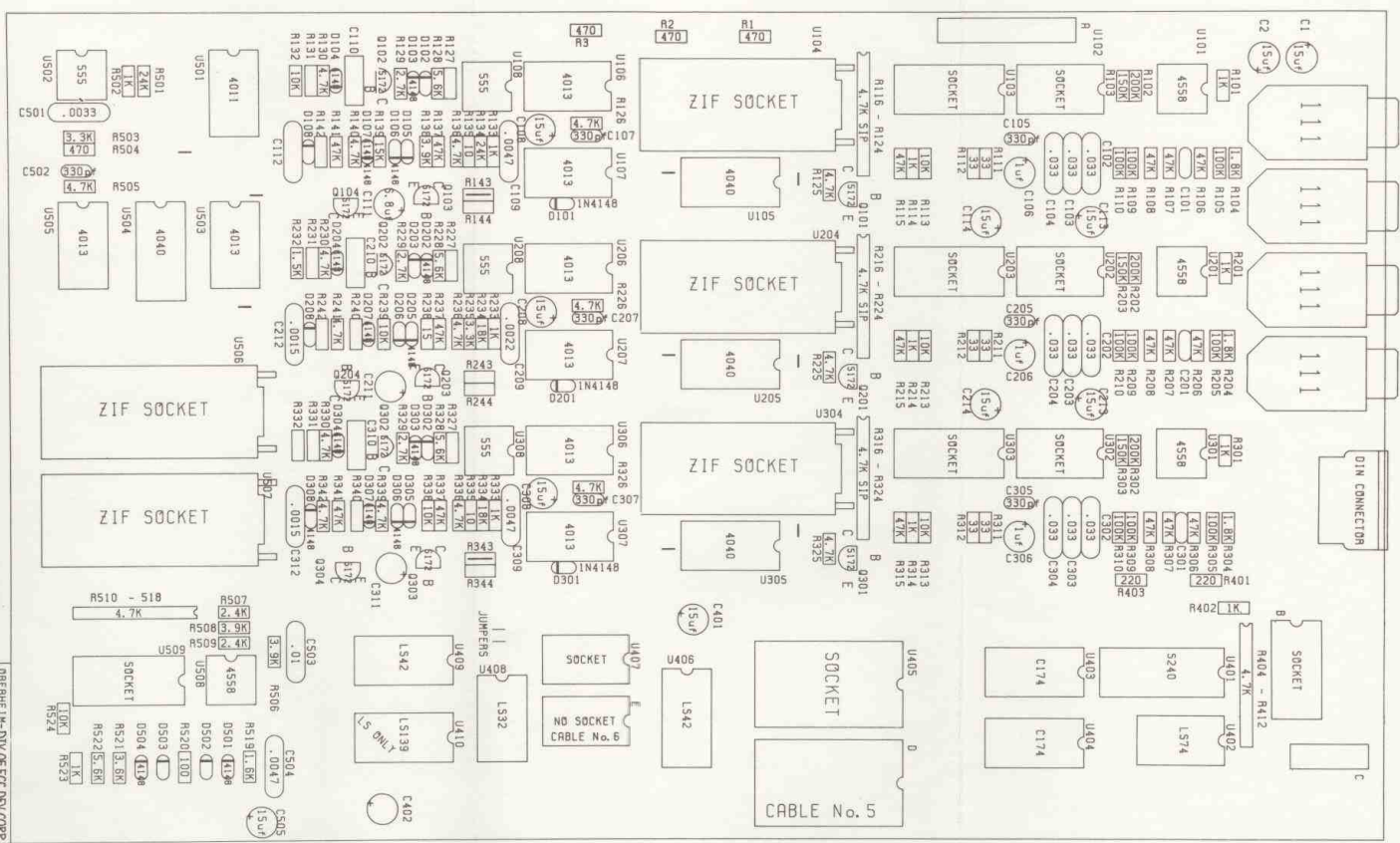
OBERHEIM-DIV OF ECC DEV. CORP.
 -SCHEMATIC-
 STRETCH PROCESSOR BOARD

LTR	REVISION	DATE	SHEET
			1 OF 3



JOERHEIM-DIV. OF ECC DEV. CORP.
 -SCHEMATIC-
 STRETCH PROCESSOR BOARD





DIEBRIEF: IM-DIV OF ECL DSI CORP
 PART: 18628
 STRETCH: PROC5509 BOARD
 REV: 3-15-85