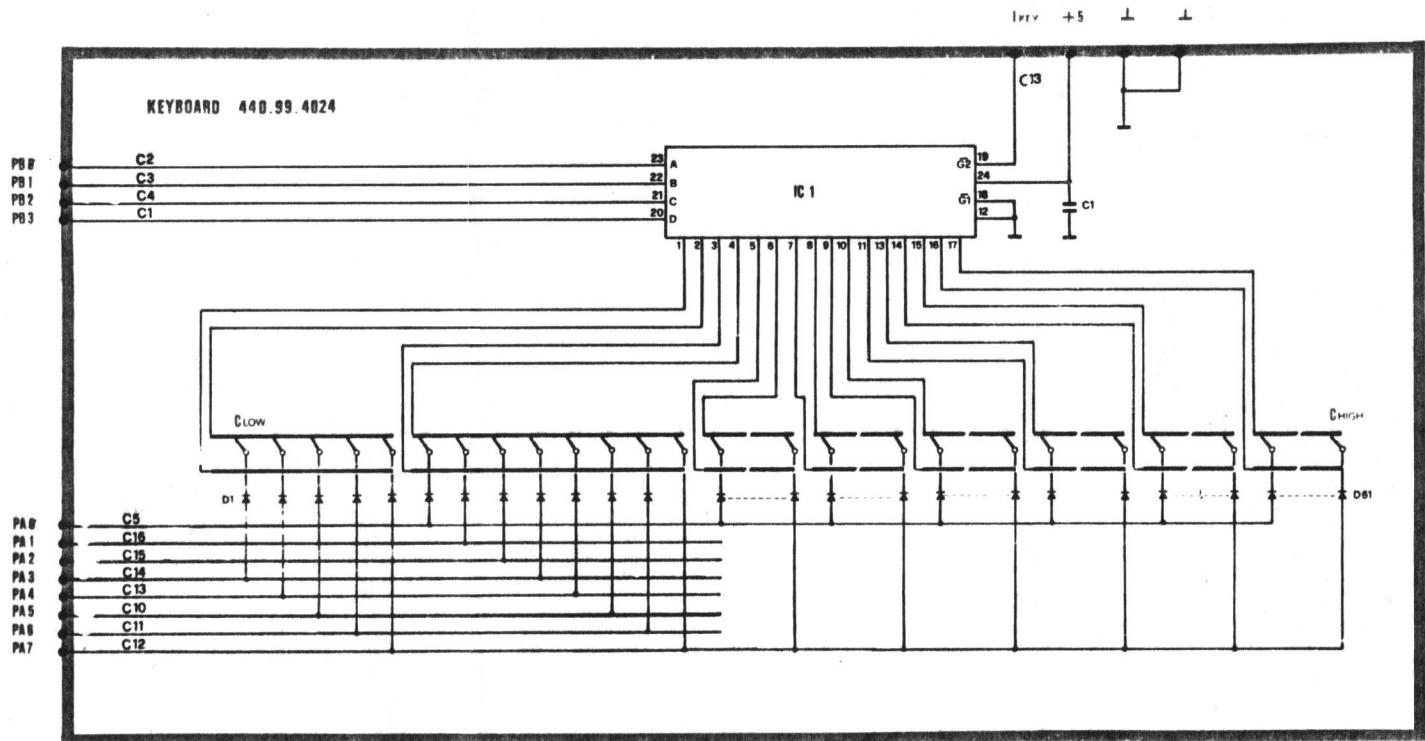
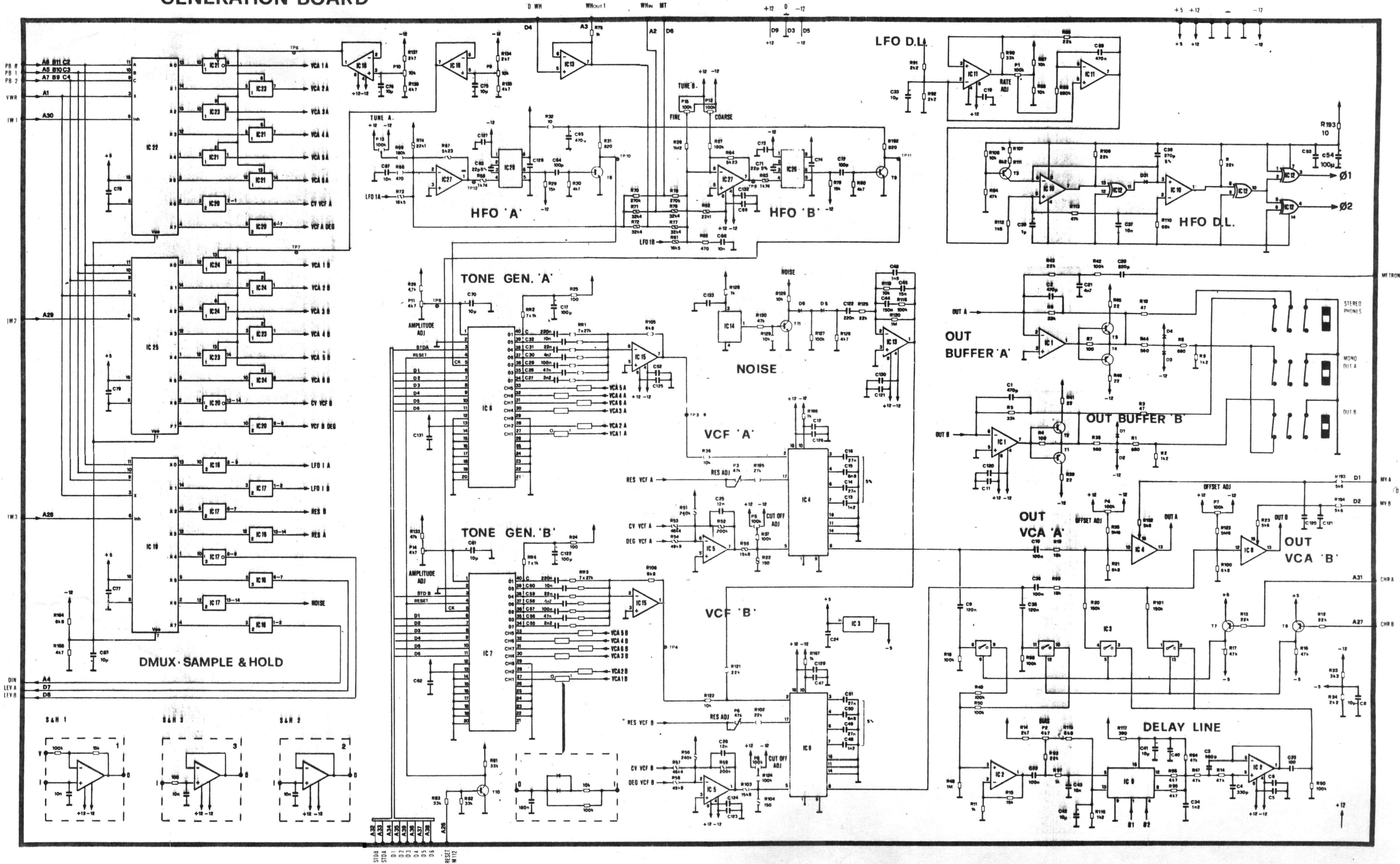


- |  |                    |
|--|--------------------|
| <b>1. KEYBOARD</b>                     | <b>440 99 4024</b> |
| <b>2. GENERATION BOARD</b>             | <b>440 99 4023</b> |
| <b>3. CPU BOARD</b>                    | <b>440 99 4022</b> |
| <b>4. DISPLAY &amp; SWITCHES BOARD</b> | <b>440 99 0339</b> |
| <b>5. CONTROLS BOARD</b>               | <b>440 99 0338</b> |



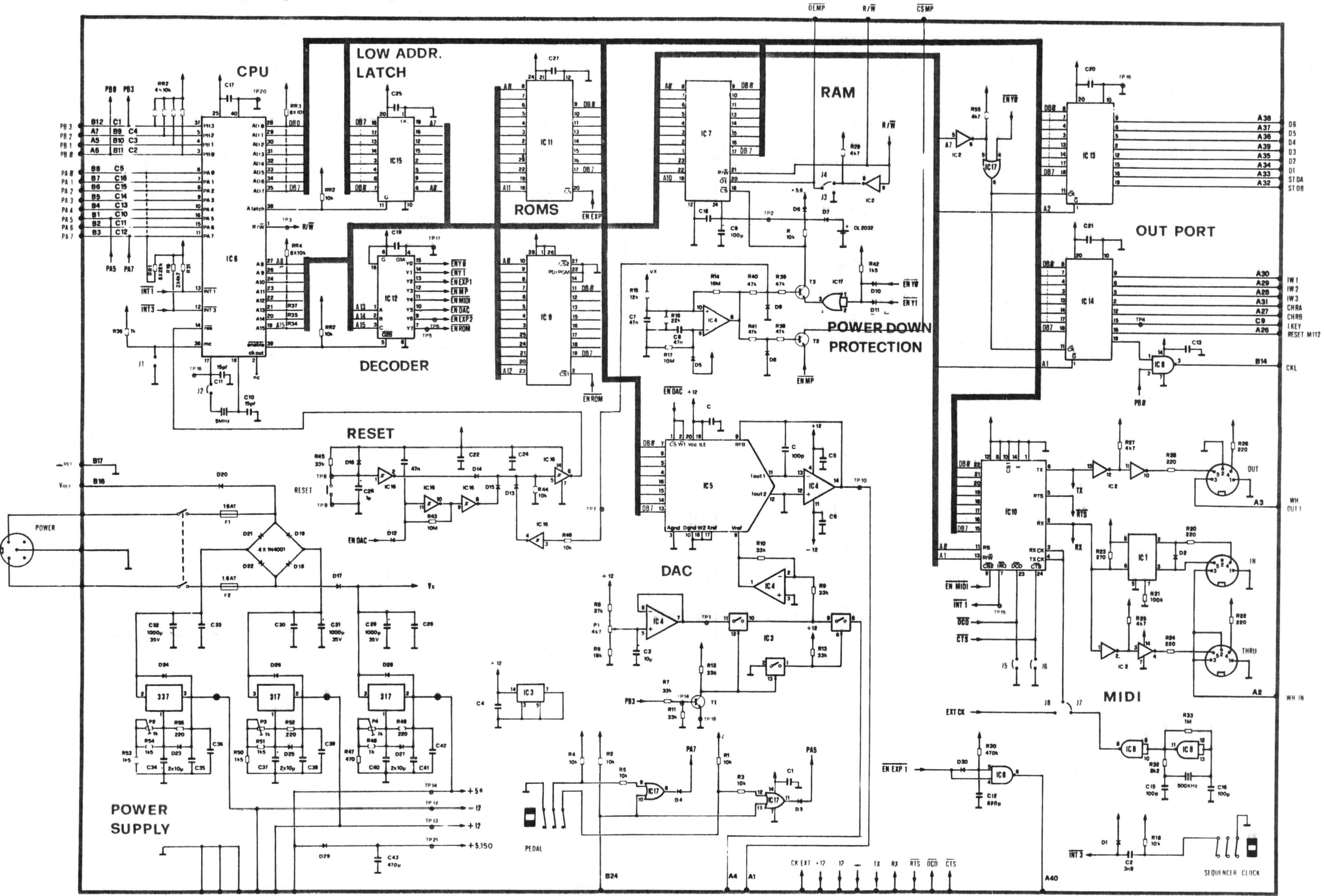
KEYBOARD

# GENERATION BOARD

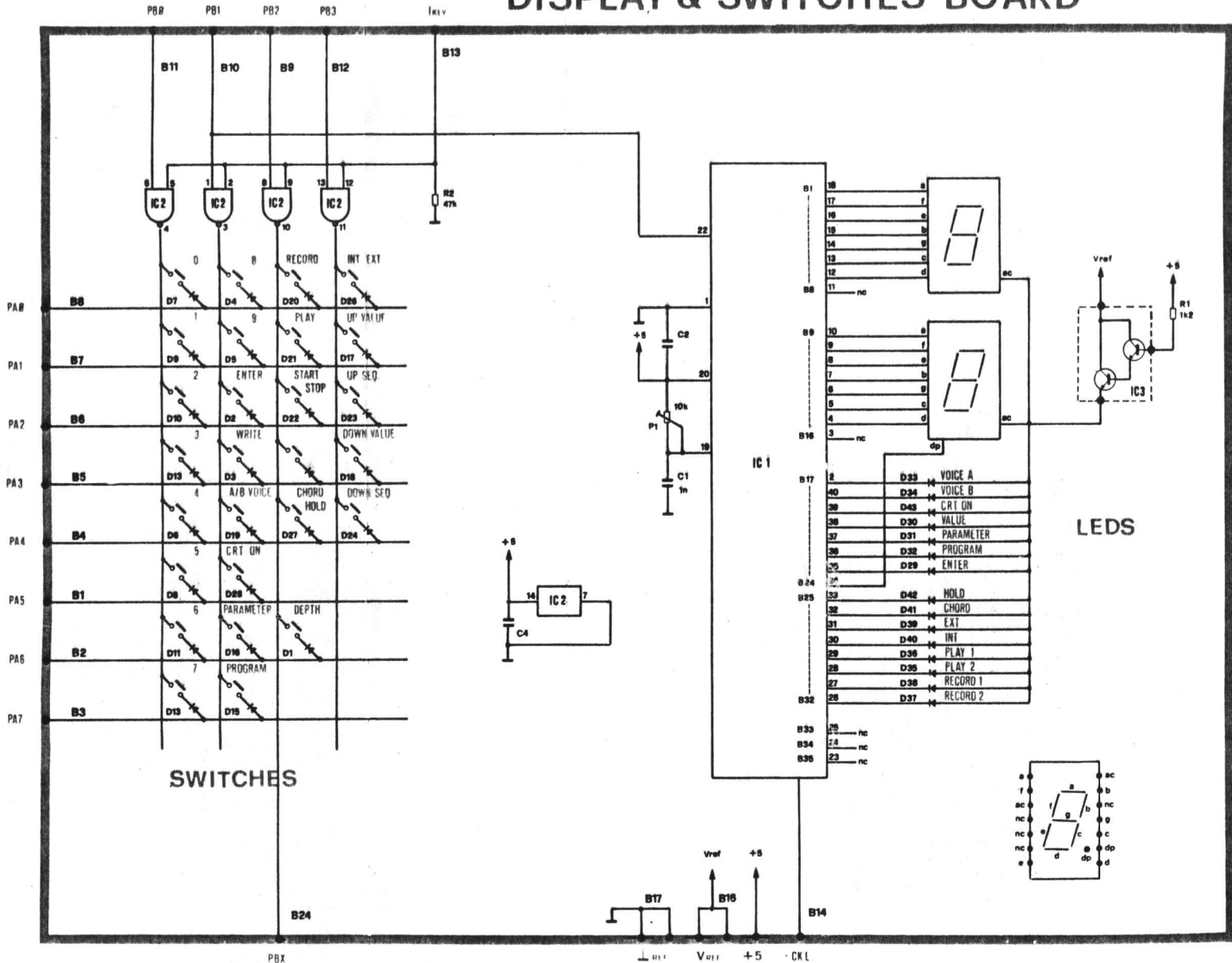


STDB STDA A32 A33 A34 A35 A36 A37 A38 A25 RESET M112

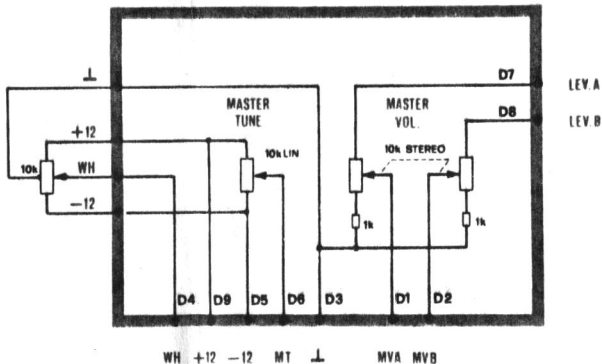
# CPU BOARD



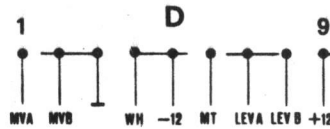
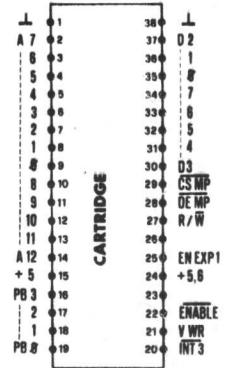
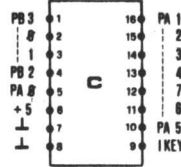
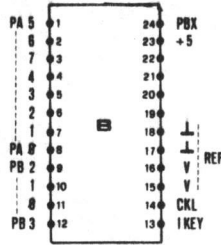
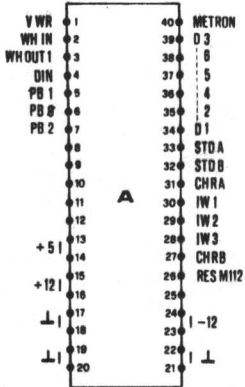
# DISPLAY & SWITCHES BOARD



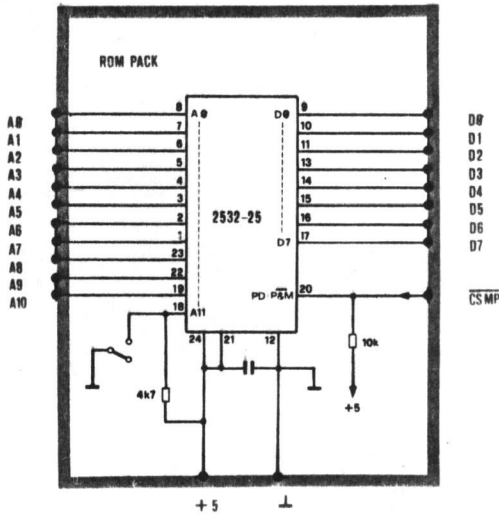
# CONTROLS BOARD



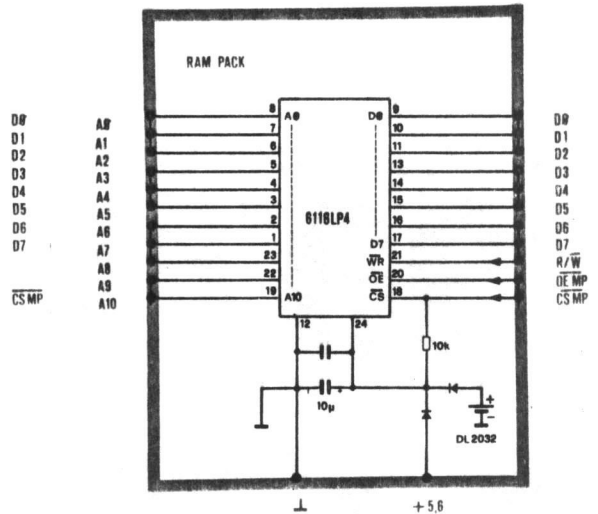
# CONNECTIONS



## ROM PACK



## RAM PACK



SIEL DK80

P.C. 440.99.4022  
CPU BOARD

IC.1 - 6N138  
IC.2 - 7404  
IC.3 - 4016  
IC.4 - TL 084  
IC.5 - DAC 831  
IC.6 - TMS 7000  
IC.7 - 6112LP-4  
IC.8 - 74HC00  
IC.9 - 2564-35  
IC.10 - 68B50  
IC.11 - 2532-30  
IC.12 - 74HC138  
IC.13 - 74HC377  
IC.14 - 74HC377  
IC.15 - 74HC373  
IC.16 - 4016  
IC.17 - 74HC32  
LM 337  
LM 317  
LM 317

P.C. 440.99.4023  
GENERATION BOARD

IC.1 - TL 084  
IC.2 - TL 084  
IC.3 - 4016  
IC.4 - SSM 2045  
IC.5 - TL 082  
IC.6 - M 112  
IC.7 - M 112  
IC.8 - SSM 2045  
IC.9 - TDA 1022  
IC.10 - LM 393  
IC.11 - TL 082  
IC.12 - 4070  
IC.13 - TL 082  
IC.14 - MM 5437N  
IC.15 - TL 082  
IC.16 - TL 084  
IC.17 - TL 084  
IC.16 - TL 082  
IC.19 - 4051  
IC.20 - TL 084  
IC.21 - TL 084  
IC.22 - 4051  
IC.23 - TL 084  
IC.24 - TL 084  
IC.25 - 4051  
IC.26 - SSM 2031  
IC.27 - TL 082  
IC.26 - SSM 2031



P.C. 440.99.4024  
KEYBOARD

IC.1 - 74HC154

P.C. 440.99.0339  
DISPLAY & SWITCHES BOARD

IC.1 - M5451  
IC.2 - 4011  
IC.3 - BDX 33  
Display man 4810 A

P.C, 440.99.0340  
RAM PACK

6116 P4

P.C. 440.99.0342  
ROM PACK

2532-25

NOTES:

- ALL condensers without specification are 47n ceramic condensers
- All resistors are 1/4 W.
- All resistors whose symbol is marked with an oblique stroke are 1% precision resistors.
- Upward arrows on CPU BOARD indicate a +5 voltage.
- Upward arrows on GENERATION BOARD indicate +12 voltage. UNLESS OTHERWISE INDICATED.