

E-mu Systems, Inc.

applied magic for the arts

Motor

April 27, 1983

ATTENTION: SERVICE MANAGER

HERE IS A PRELIMINARY COPY OF DRUMULATOR SCHEMATICS. THE DRUMULATOR SERVICE MANUAL WILL BE SENT TO YOU AS SOON AS IT IS COMPLETED IN APPROXIMATELY THREE WEEKS.

PLEASE LET ME KNOW IF YOU HAVE ANY QUESTIONS OR COMMENTS.

REGARDS,

Kevin Monahan

KEVIN MONAHAN
CUSTOMER SERVICE MANAGER

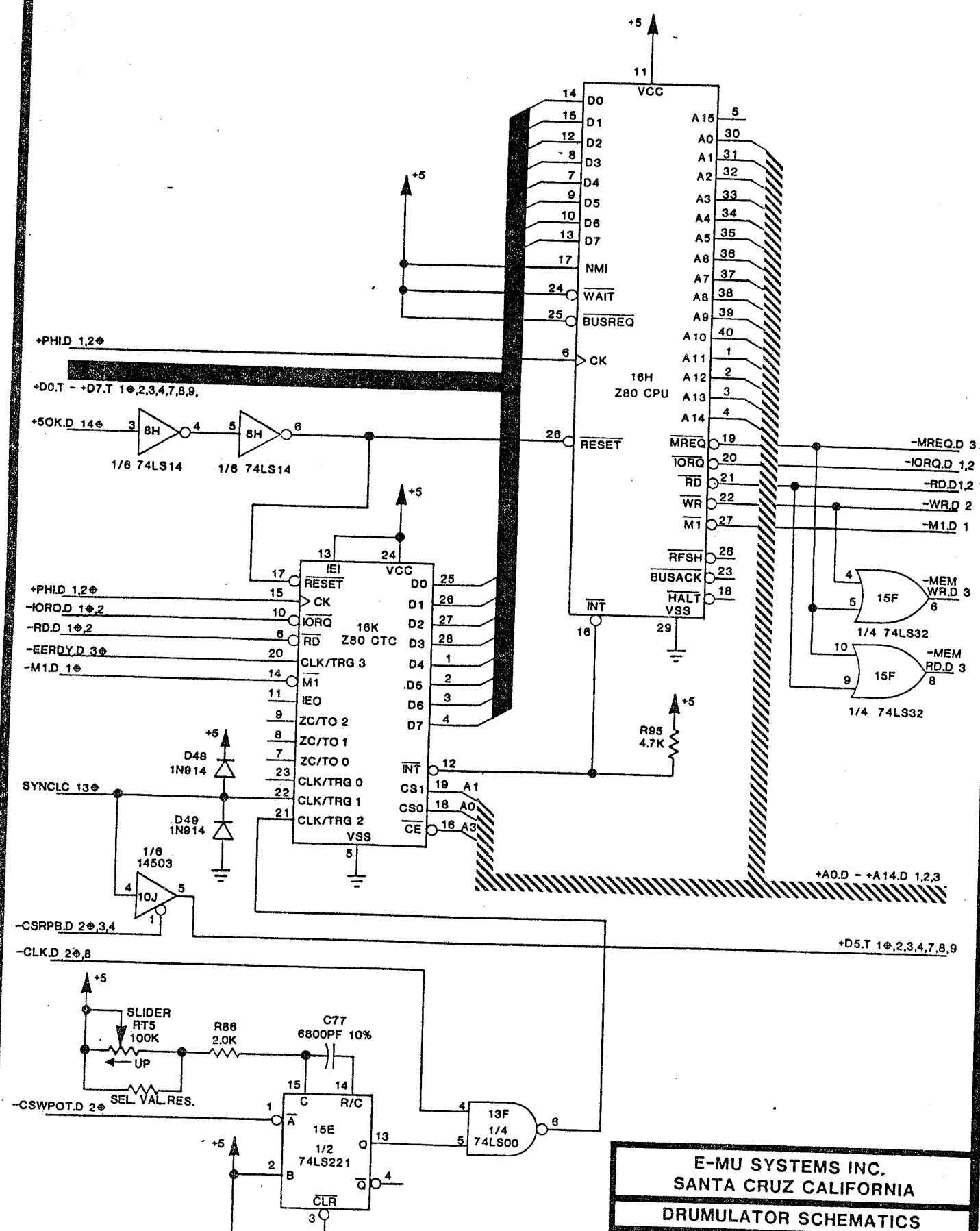
DRUMULATOR

E-mu Systems, Inc.
applied magic for the arts

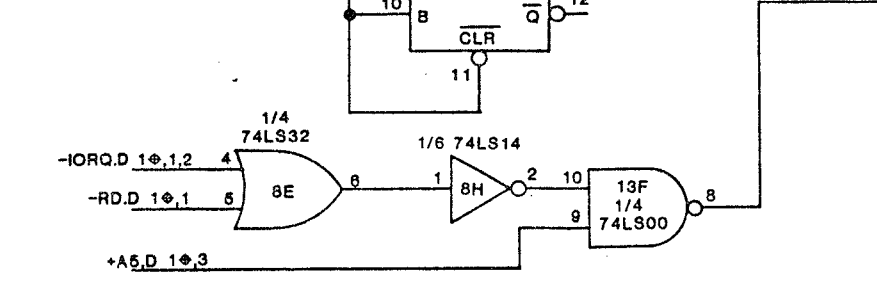
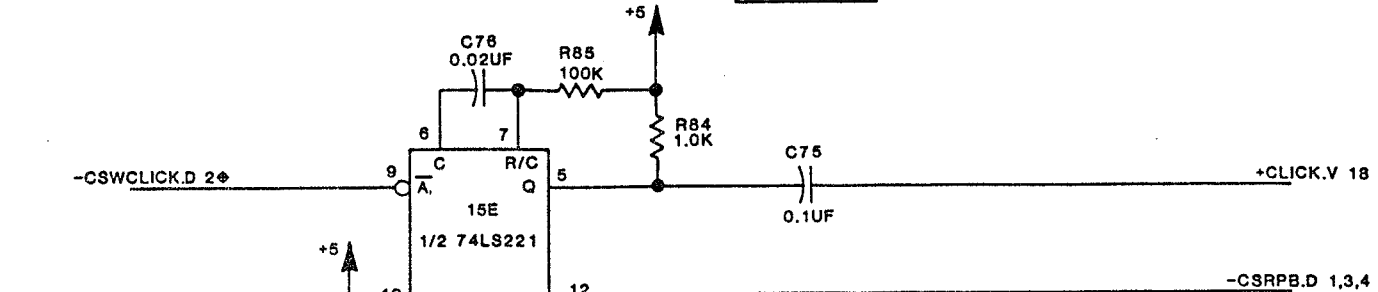
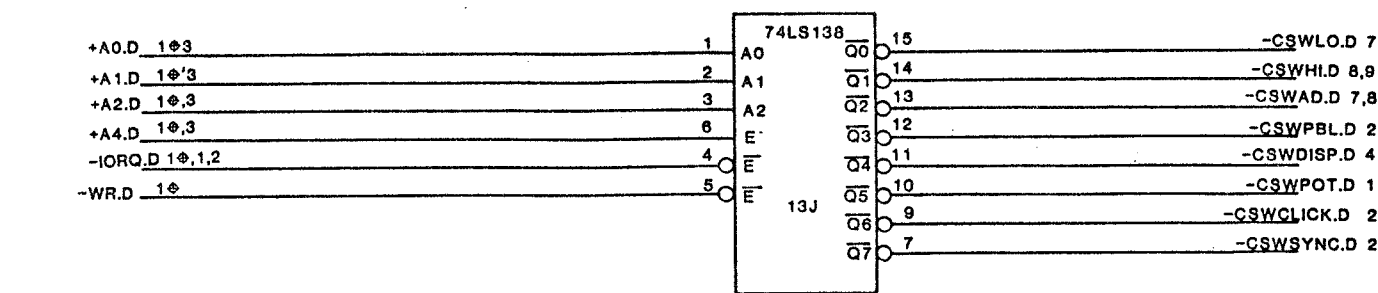
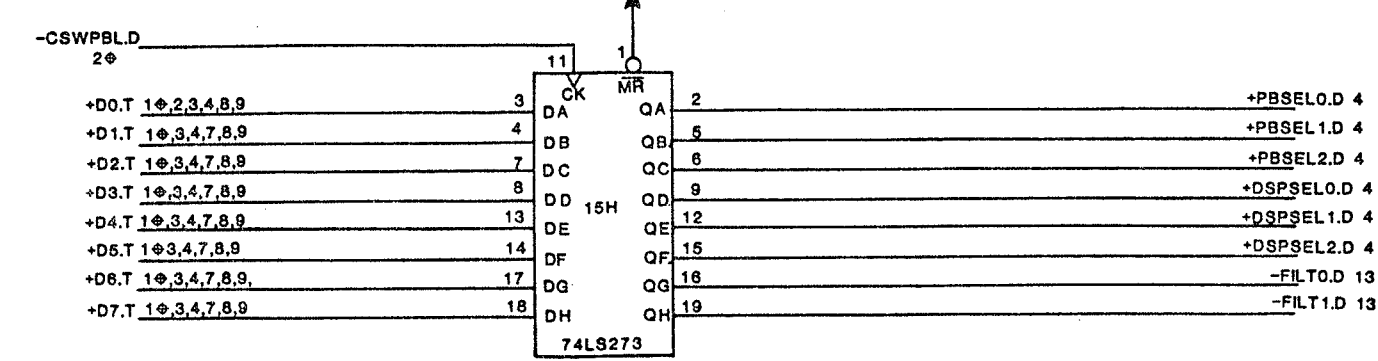
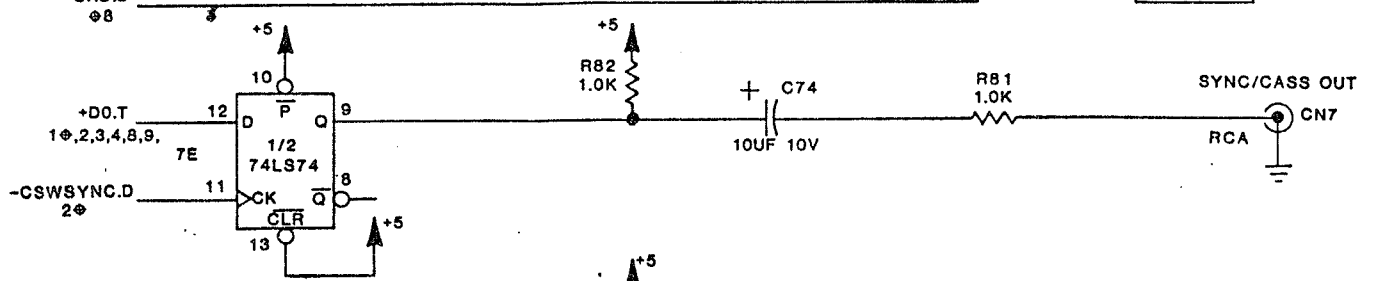
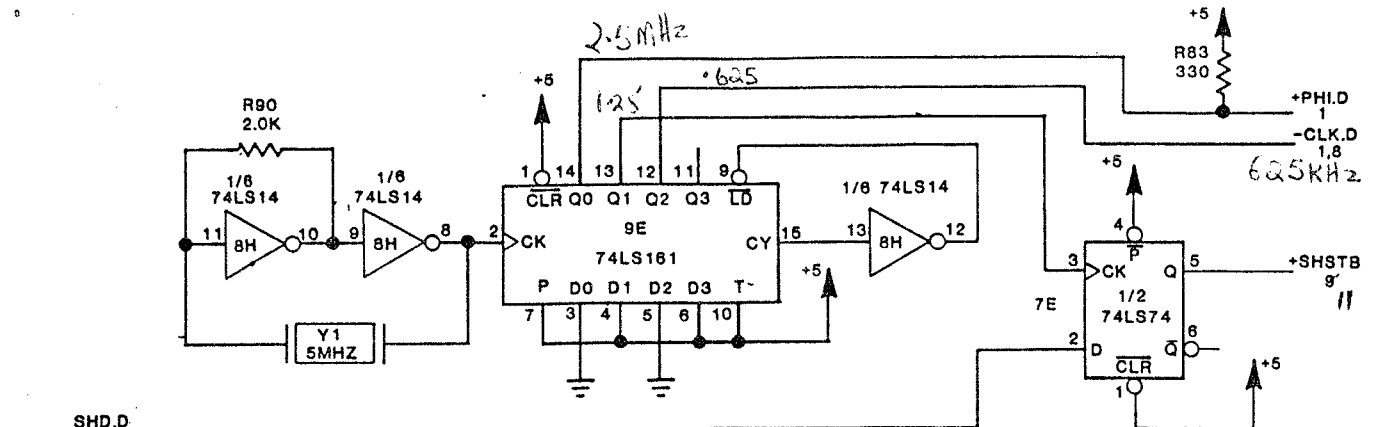
Kevin Monahan
Customer Service Manager

2815 Chanticleer, Santa Cruz, California 95062
(408) 476-4424 Telex 172951 E MUSIC

2815 Chanticleer, Santa Cruz, CA 95062 (408) 476-4424 Telex 172951 E MUSIC

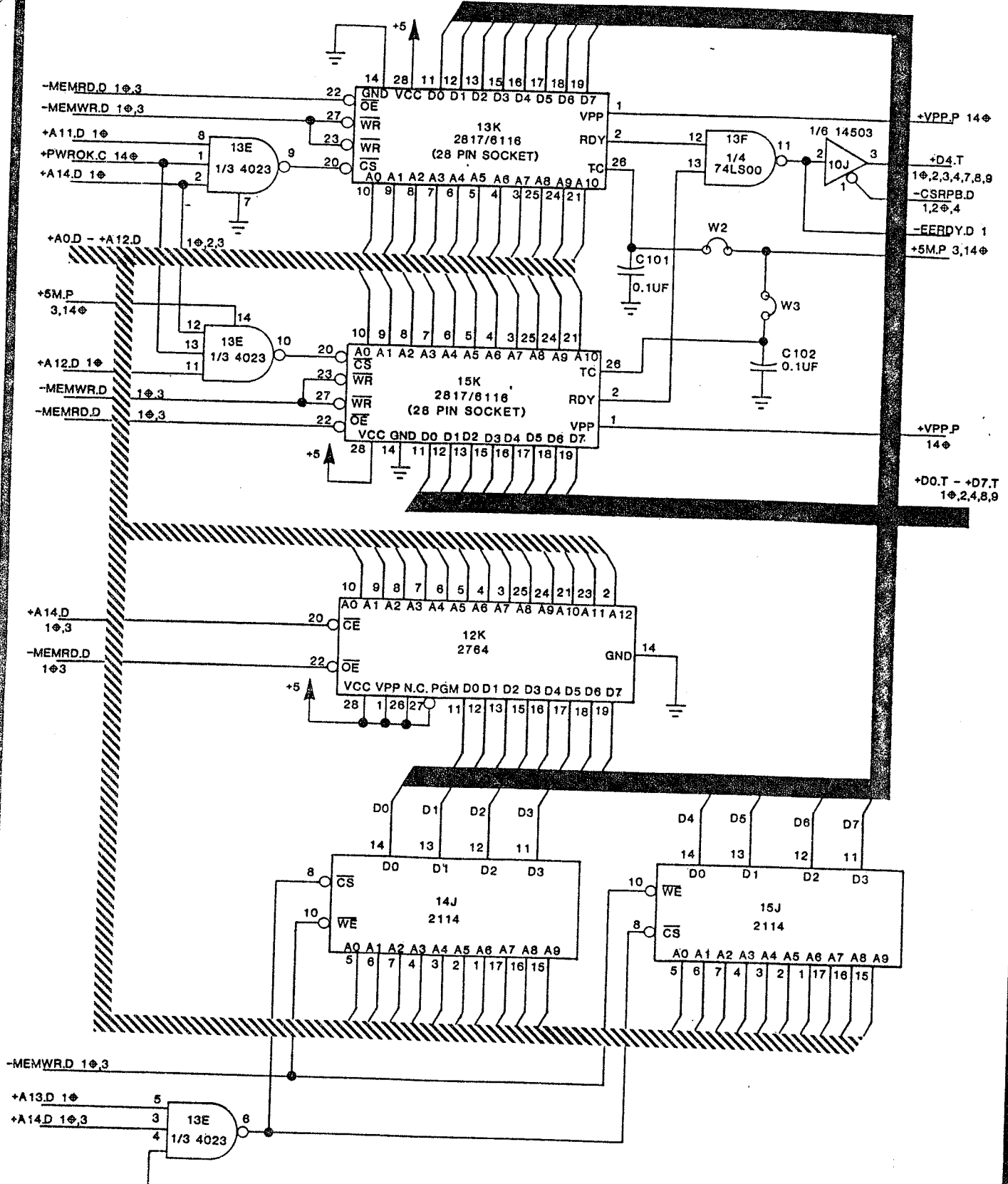


| | |
|------------------------------|------------------------|
| E-MU SYSTEMS INC. | |
| SANTA CRUZ CALIFORNIA | |
| DRUMULATOR SCHEMATICS | |
| DRAWN BY: B.H.M. | DOC. NO. S-7100-001-01 |
| APPRV. BY: D.P.R. | CHECKED BY: E.R. |
| REVISION 1 | APRIL 11 1983 |
| | PAGE NO. 1 |



E-MU SYSTEMS INC.
SANTA CRUZ CALIFORNIA
DRUMULATOR SCHEMATICS

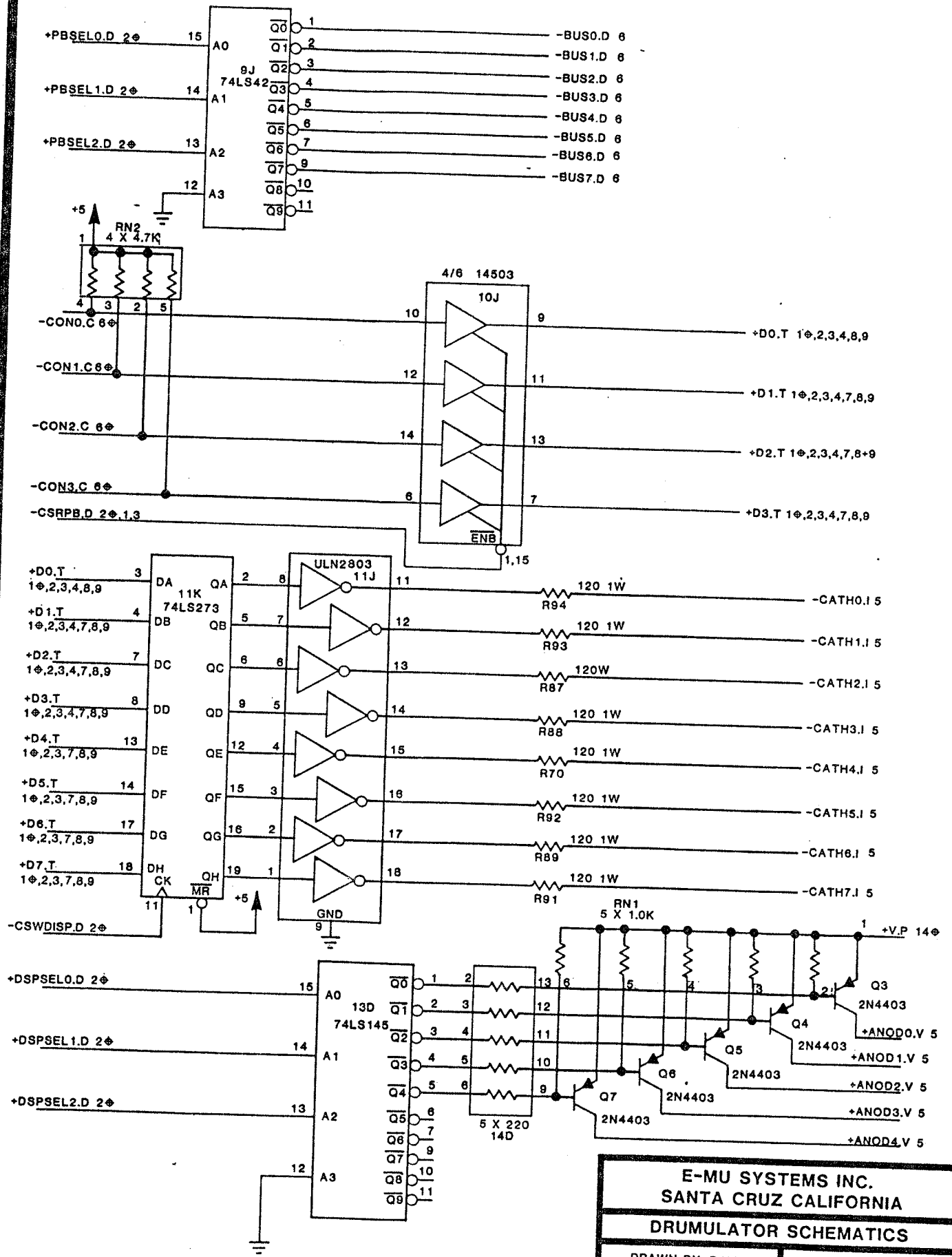
| | |
|-------------------|-----------------------|
| DRAWN BY: B.H.M. | DOC. NO. S-7100-001-0 |
| APPRV. BY: D.P.R. | CHECKED BY: E.R. |
| REVISION 1 | APRIL 11 1983 |
| | PAGE NO. 2 |



E-MU SYSTEMS INC.
SANTA CRUZ CALIFORNIA

DRUMULATOR SCHEMATICS

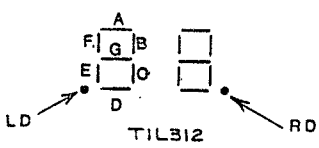
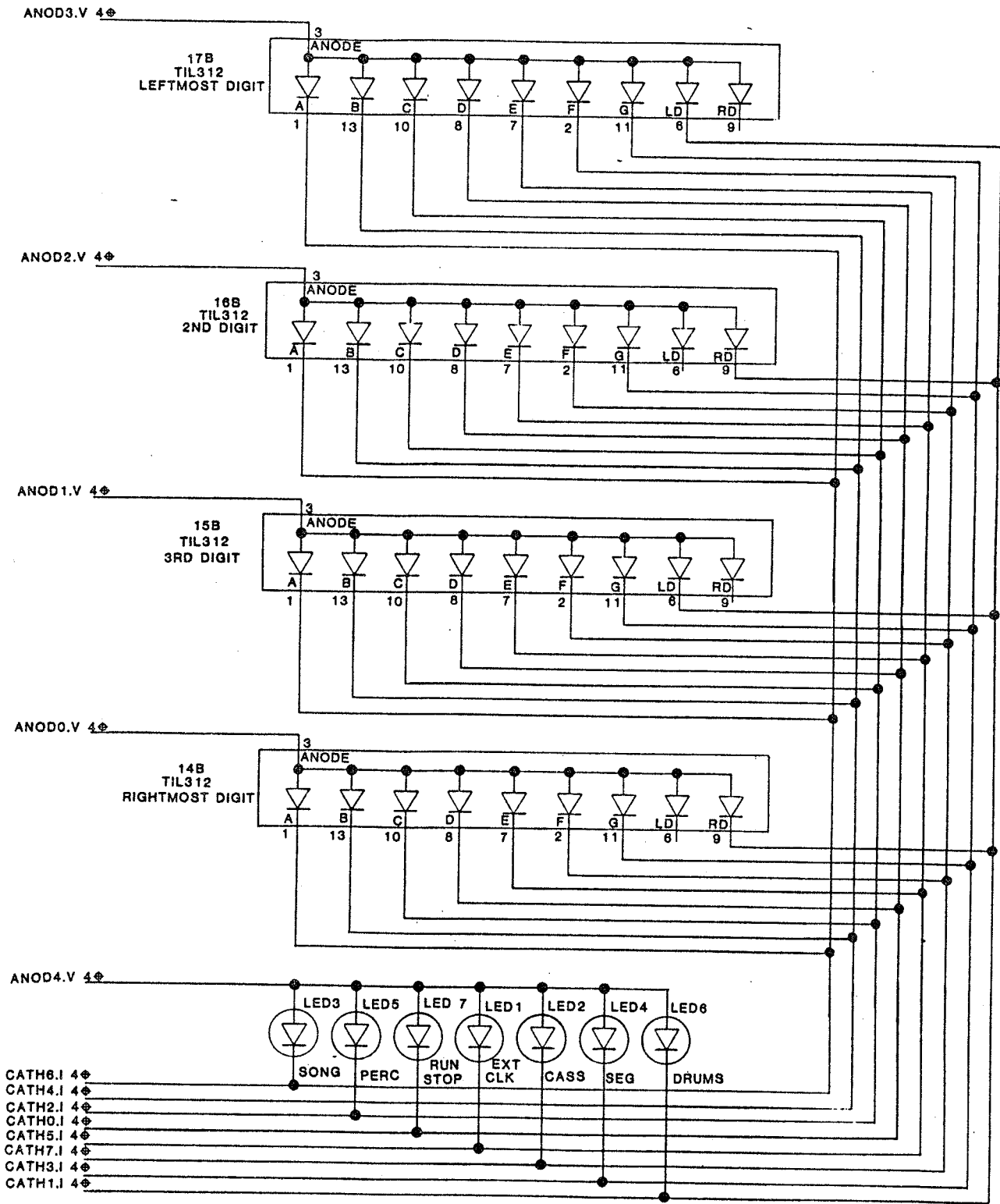
| | |
|-------------------|------------------------|
| DRAWN BY: B.H.M. | DOC. NO. S-7100-001-01 |
| APPRV. BY: D.P.R. | CHECKED BY: E.R. |
| REVISION 1 | APRIL 11 1983 |
| | PAGE NO. 3 |



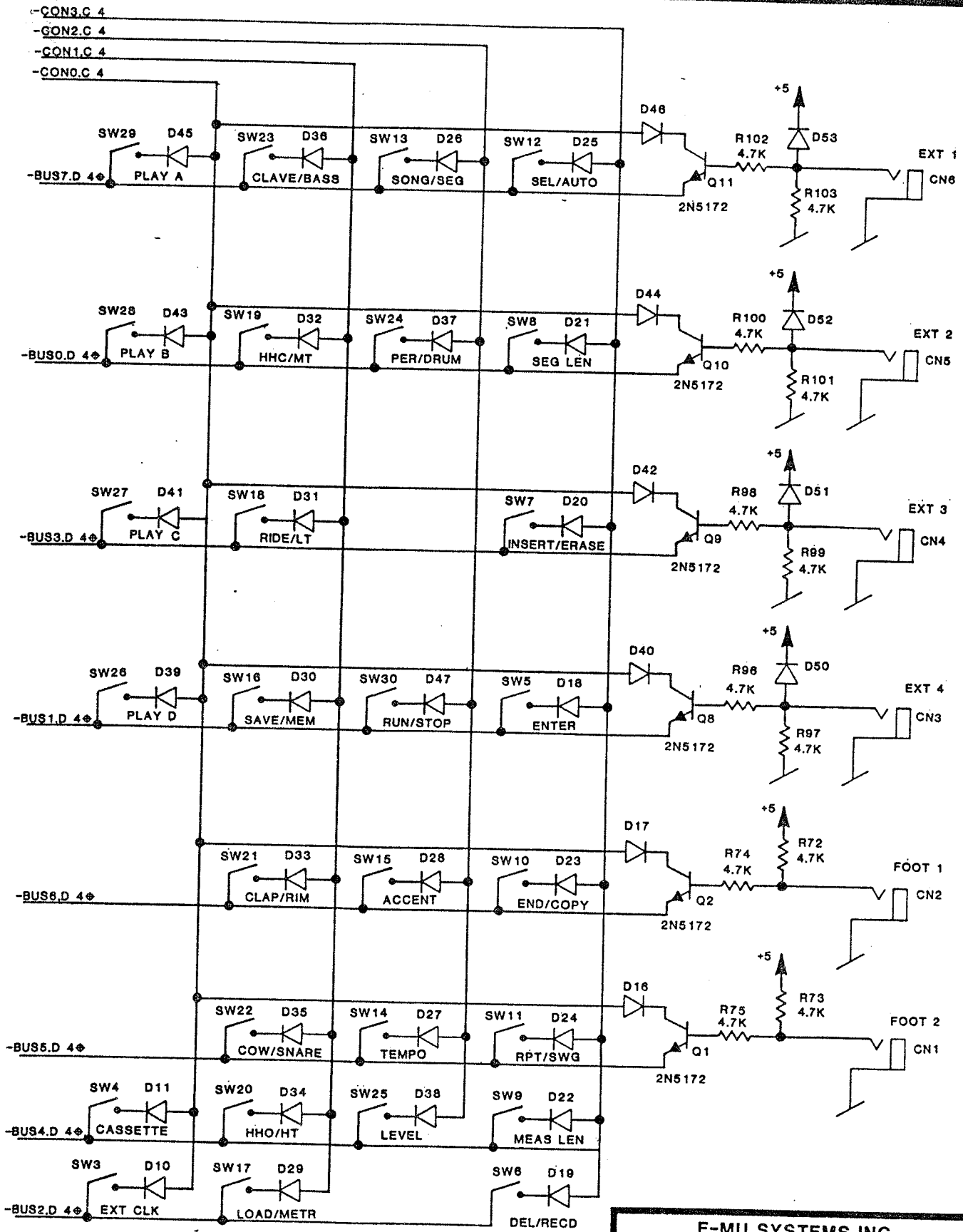
E-MU SYSTEMS INC.
SANTA CRUZ CALIFORNIA

DRUMULATOR SCHEMATICS

| | |
|-------------------|------------------------|
| DRAWN BY: B.H.M. | DOC. NO. S-7100-001-01 |
| APPRV. BY: D.P.R. | CHECKED BY: E.R. |
| REVISION 1 | APRIL 11 1983 |
| | PAGE NO. 4 |

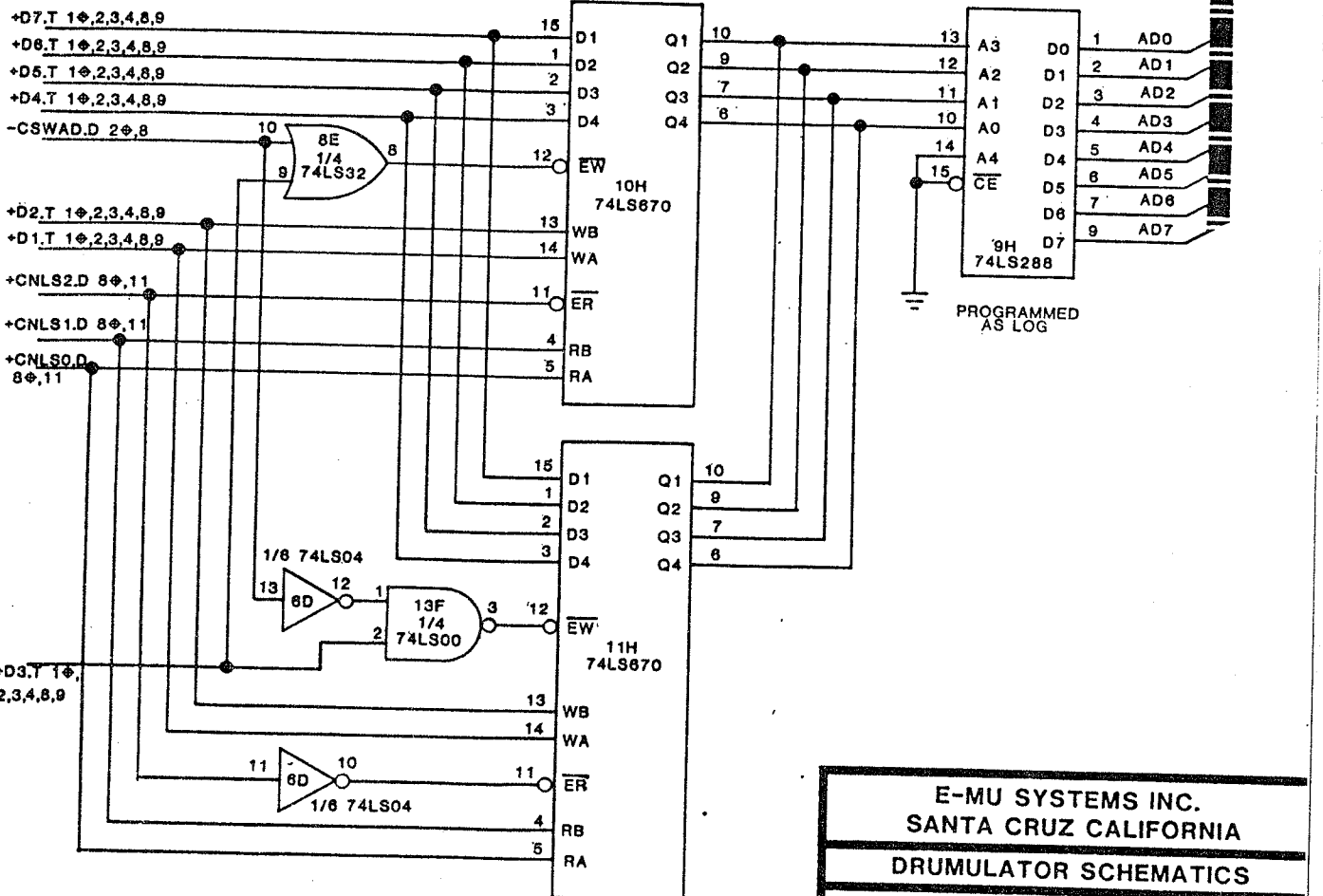
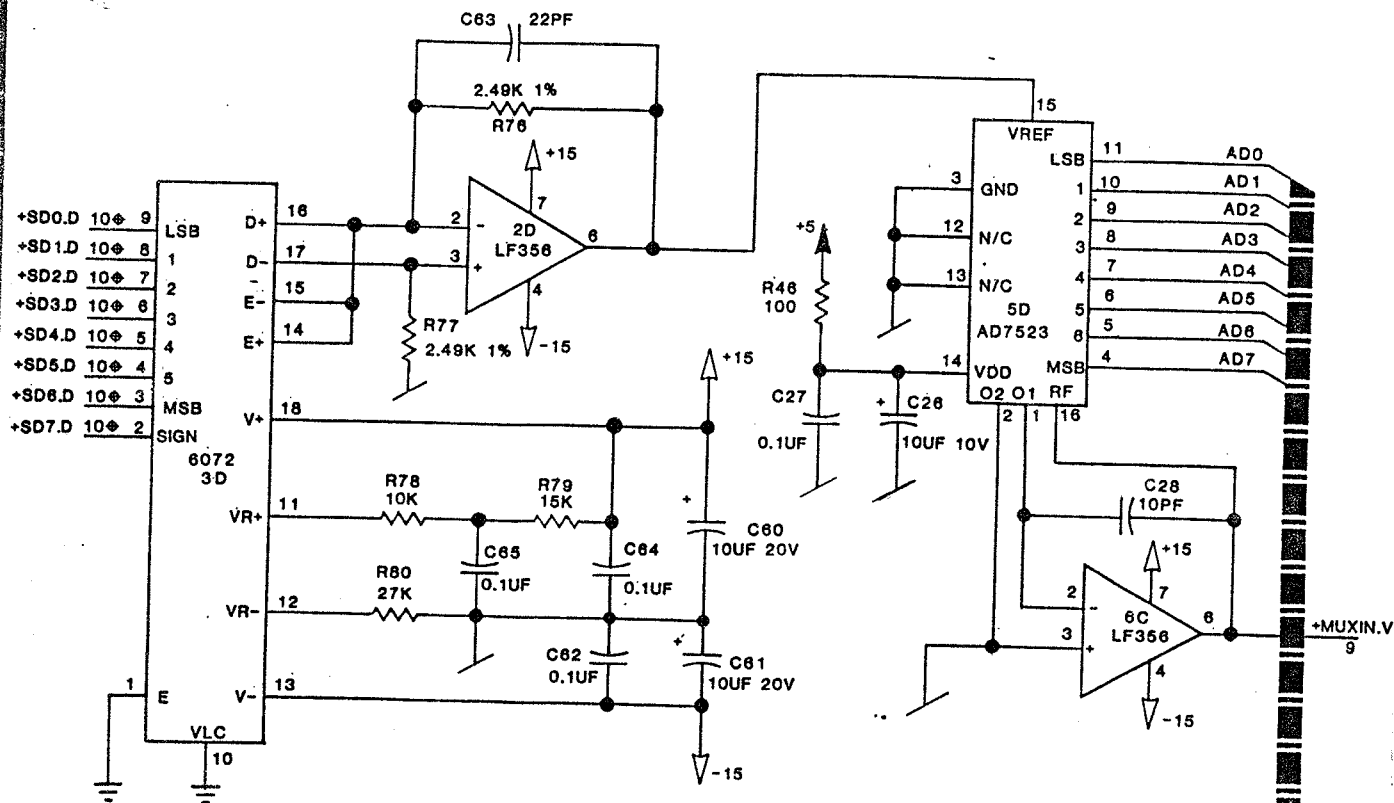


| | |
|----------------------------------------------------|--------------------------|
| E-MU SYSTEMS INC. SANTA CRUZ CALIFORNIA | |
| DRUMULATOR SCHEMATICS | |
| DRAWN BY: B.H.M. | DOC. NO. S-7100-001-01 |
| APPRV. BY: D.P.R. | CHECKED BY: E.R. |
| REVISION 1 | APRIL 11 1983 PAGE NO. 5 |



ALL DIODES 1N914

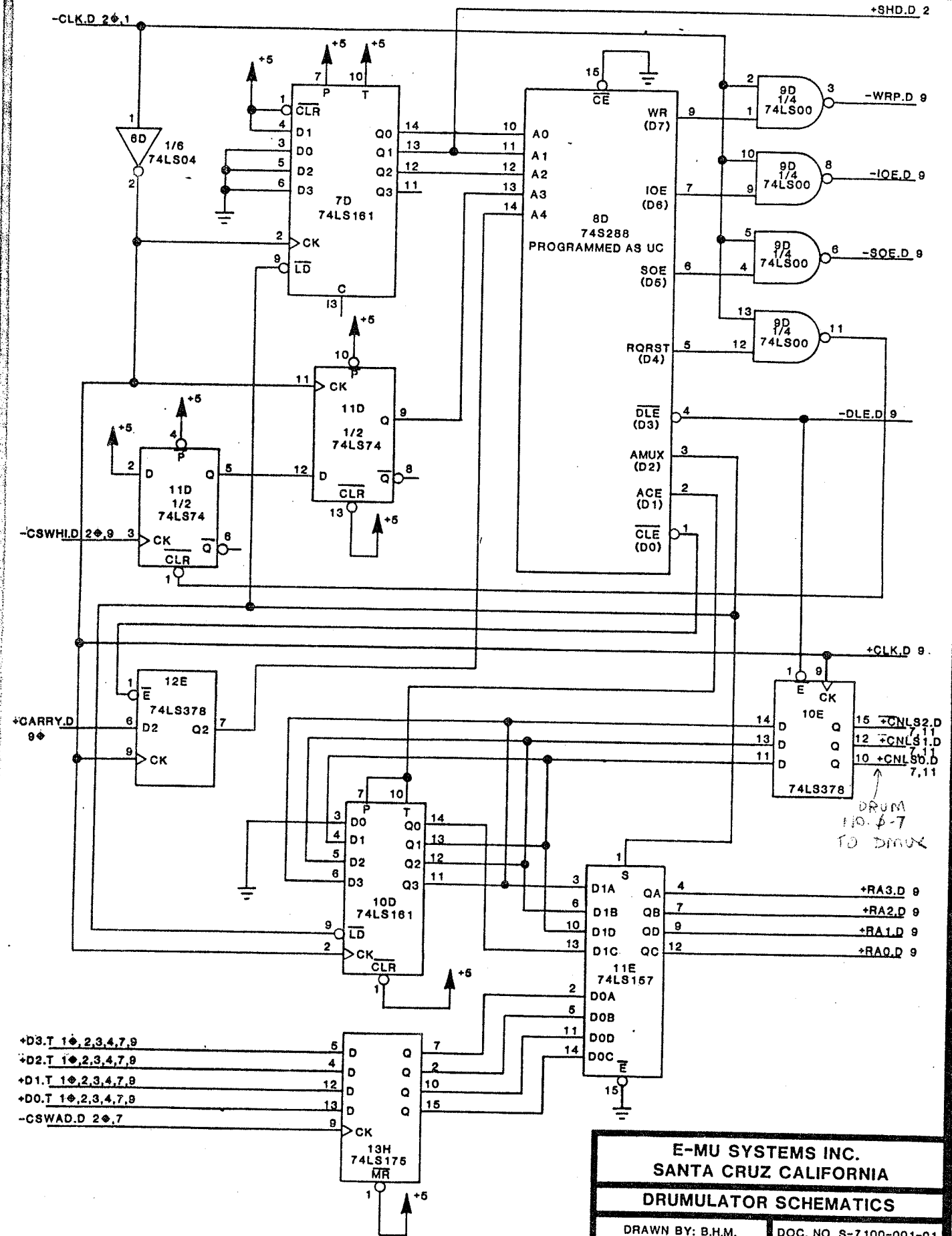
| | |
|----------------------------------------------------------|------------------------|
| E-MU SYSTEMS INC. SANTA CRUZ CALIFORNIA | |
| DRUMULATOR SCHEMATICS | |
| DRAWN BY: B.H.M. | DOC. NO. S-7100-001-01 |
| APPRV. BY: D.P.R. | CHECKED BY: E.R. |
| REVISION 1 | APRIL 11 1983 |
| PAGE NO. 6 | |



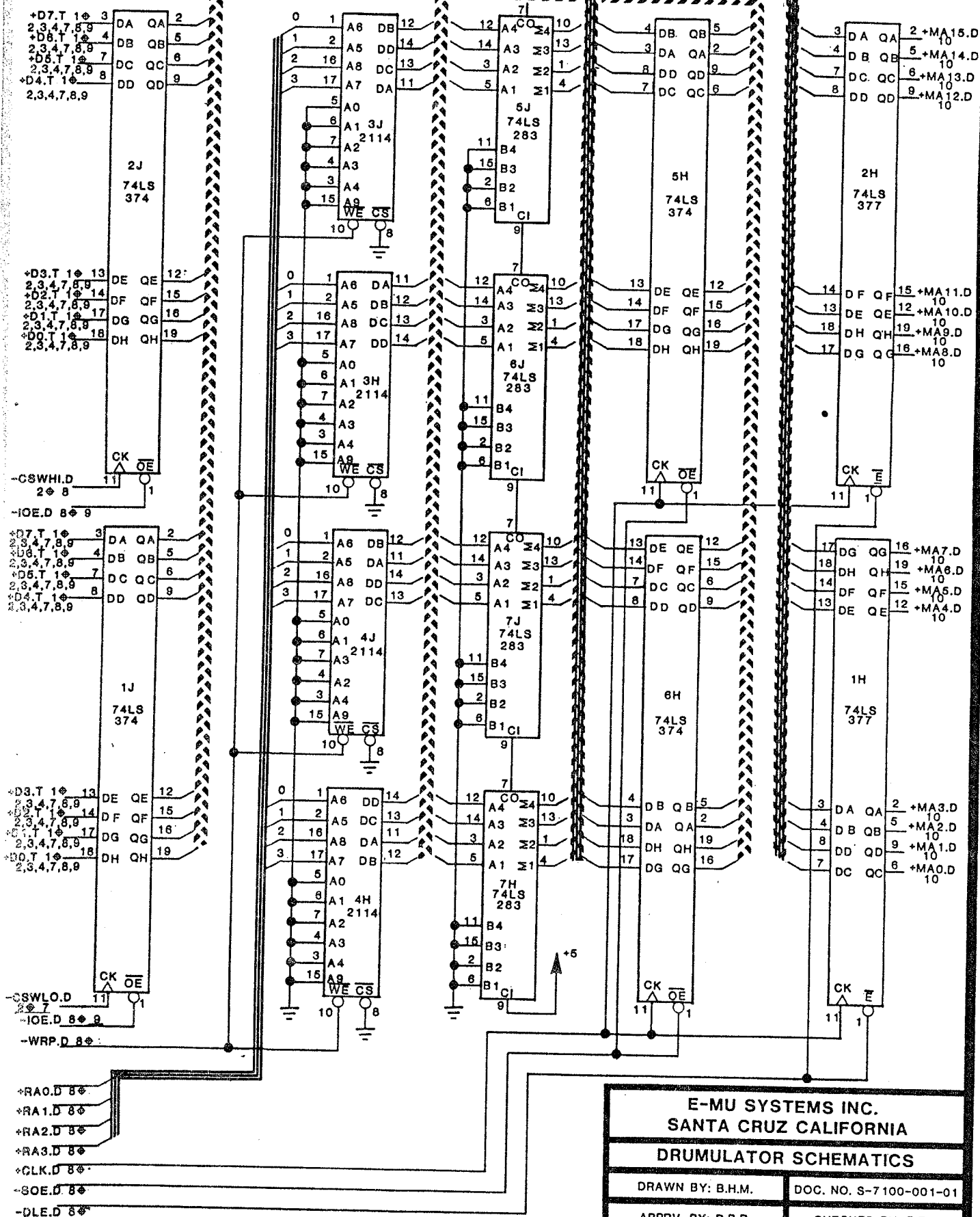
E-MU SYSTEMS INC.
SANTA CRUZ CALIFORNIA

DRUMULATOR SCHEMATICS

| | |
|-------------------|-----------------------|
| DRAWN BY: B.H.M. | DOC. NO. S-7100-001-0 |
| APPRV. BY: D.P.R. | CHECKED BY: E.R. |
| REVISION 1 | APRIL 11 1983 |
| | PAGE NO. 7 |



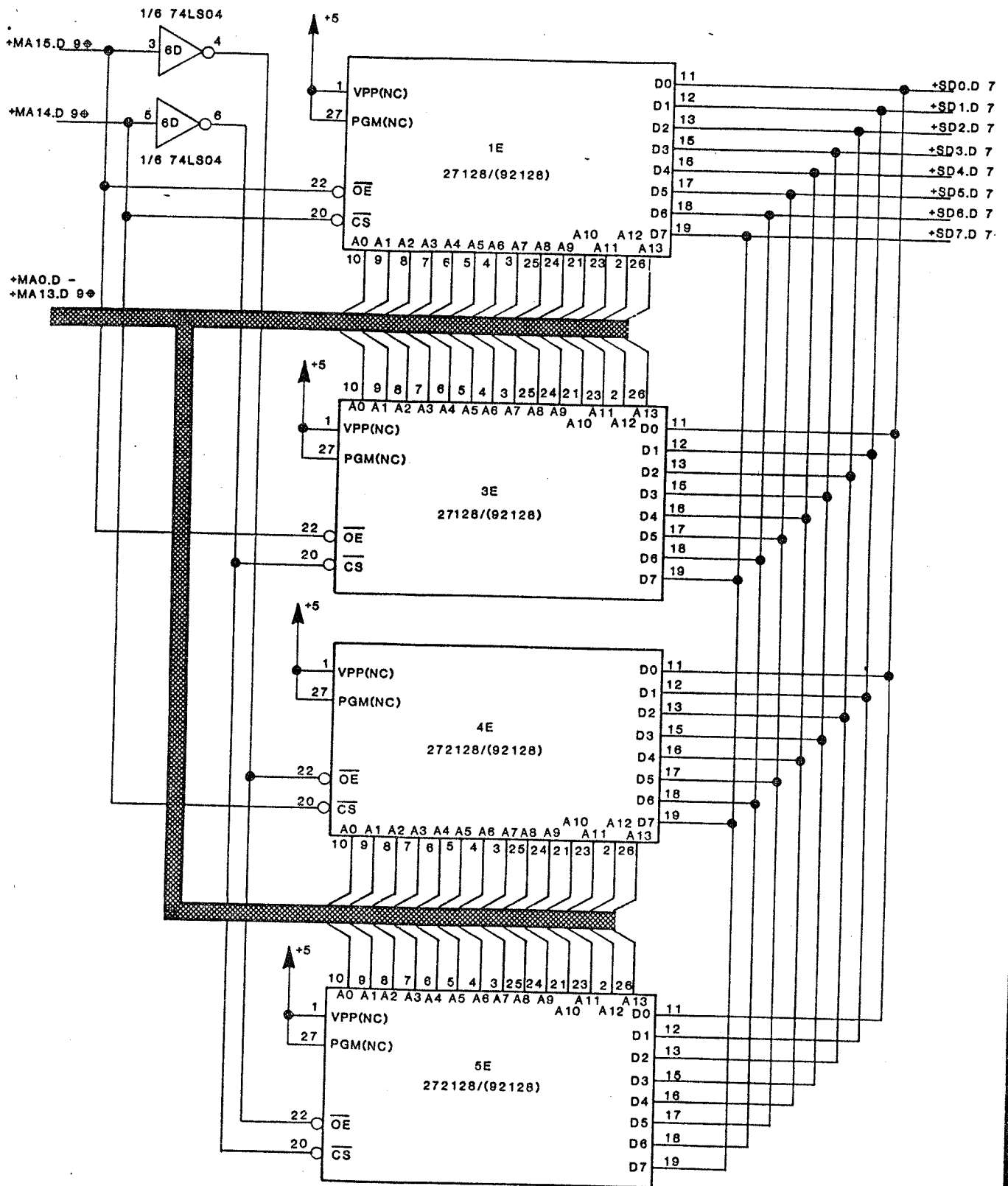
| | |
|------------------------------|------------------------|
| E-MU SYSTEMS INC. | |
| SANTA CRUZ CALIFORNIA | |
| DRUMULATOR SCHEMATICS | |
| DRAWN BY: B.H.M. | DOC. NO. S-7100-001-01 |
| APPRV. BY: D.P.R. | CHECKED BY: E.R. |
| REVISION -1 | APRIL 11 1983 |
| | PAGE NO. 8 |



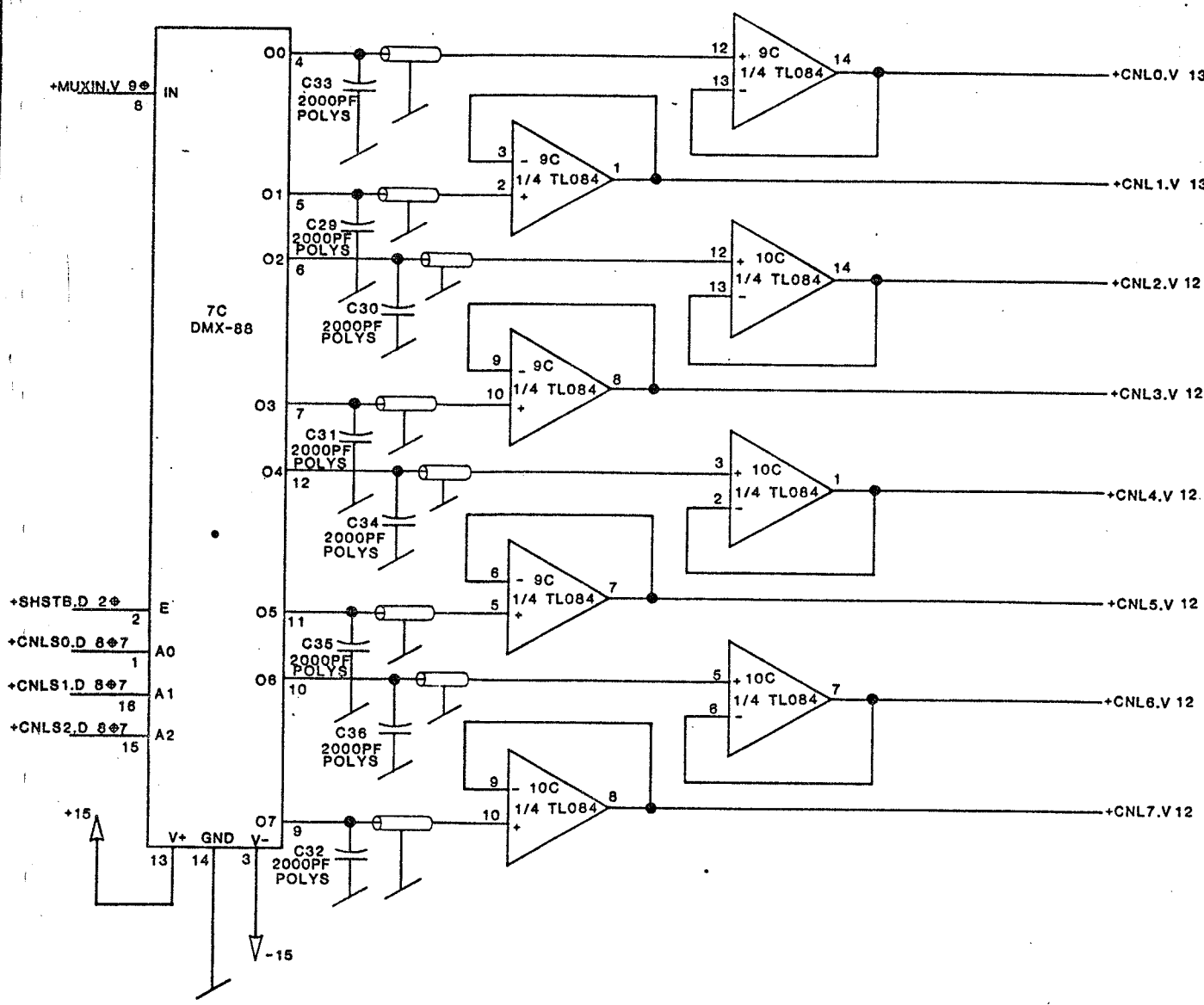
E-MU SYSTEMS INC.
SANTA CRUZ CALIFORNIA

DRUMULATOR SCHEMATICS

| | |
|-------------------|------------------------|
| DRAWN BY: B.H.M. | DOC. NO. S-7100-001-01 |
| APPRV. BY: D.P.R. | CHECKED BY: E.R. |
| REVISION 1 | APRIL 11 1983 |
| | PAGE NO. 9 |

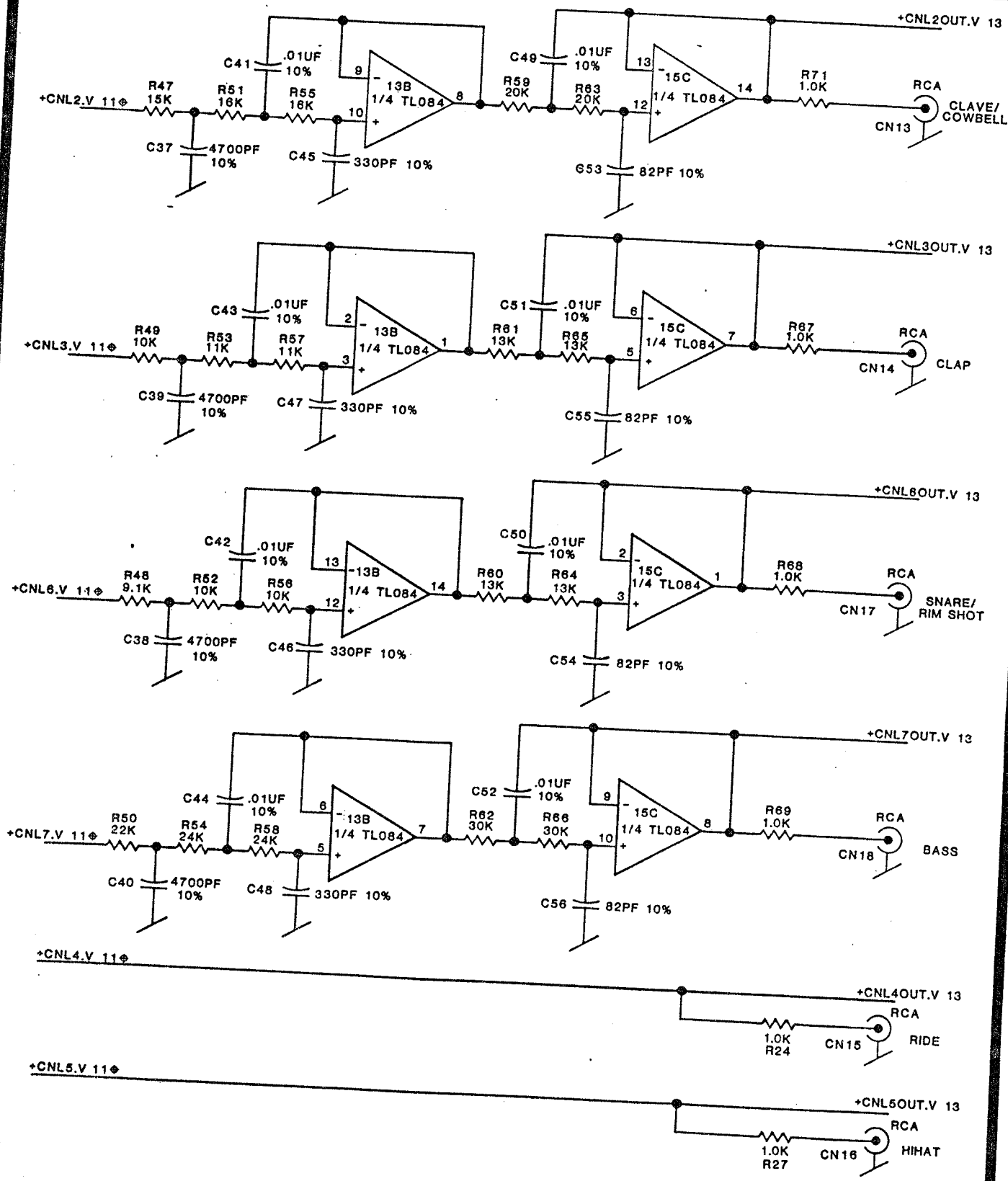


| | |
|----------------------------------------------------|------------------------|
| E-MU SYSTEMS INC. SANTA CRUZ CALIFORNIA | |
| DRUMULATOR SCHEMATICS | |
| DRAWN BY: B.H.M. | DOC. NO. S-7100-001-01 |
| APPRV. BY: D.P.R. | CHECKED BY: E.R. |
| REVISION 1 | APRIL 11 1983 |
| | PAGE NO. 10 |



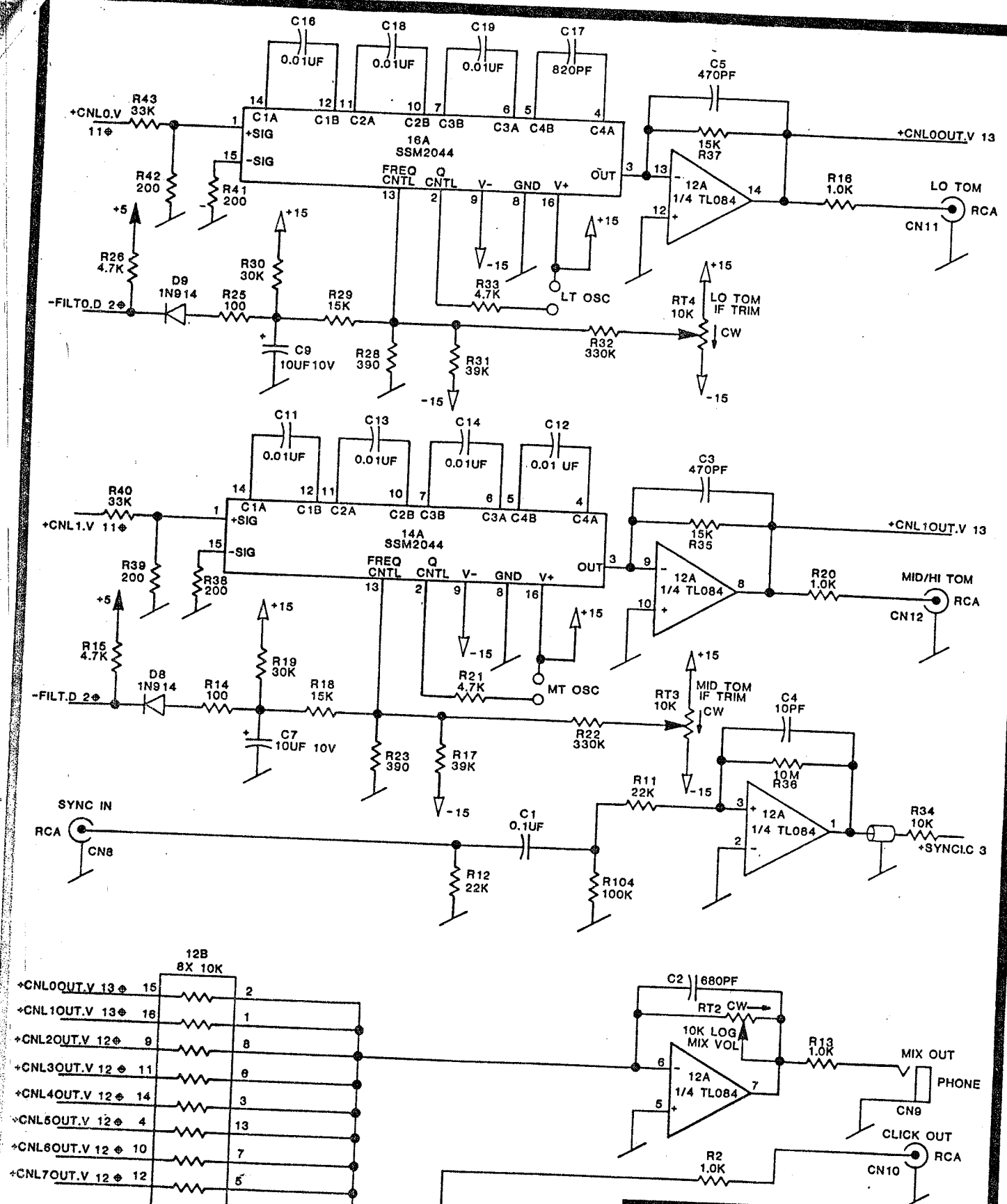
DMX-88
 EQUIVALENTS
 PMI MUX-08
 SILICONIX DG508
 HARRIS HI-508A
 NATIONAL LF11508

| | |
|--------------------------------------------|------------------------|
| E-MU SYSTEMS INC. SANTA CRUZ CALIFORNIA | |
| DRUMULATOR SCHEMATICS | |
| DRAWN BY: B.H.M. | DOC. NO. S-7100-001-01 |
| APPRV. BY: D.P.R. | CHECKED BY: E.R. |
| REVISION 1 | APRIL 11 1983 |
| | PAGE NO. 11 |



E-MU SYSTEMS INC.
SANTA CRUZ CALIFORNIA
DRUMULATOR SCHEMATICS

| | |
|-------------------|------------------------|
| DRAWN BY: B.H.M. | DOC. NO. S-7100-001-01 |
| APPRV. BY: D.P.R. | CHECKED BY: E.R. |
| REVISION 1 | APRIL 11 1983 |
| | PAGE NO. 12 |



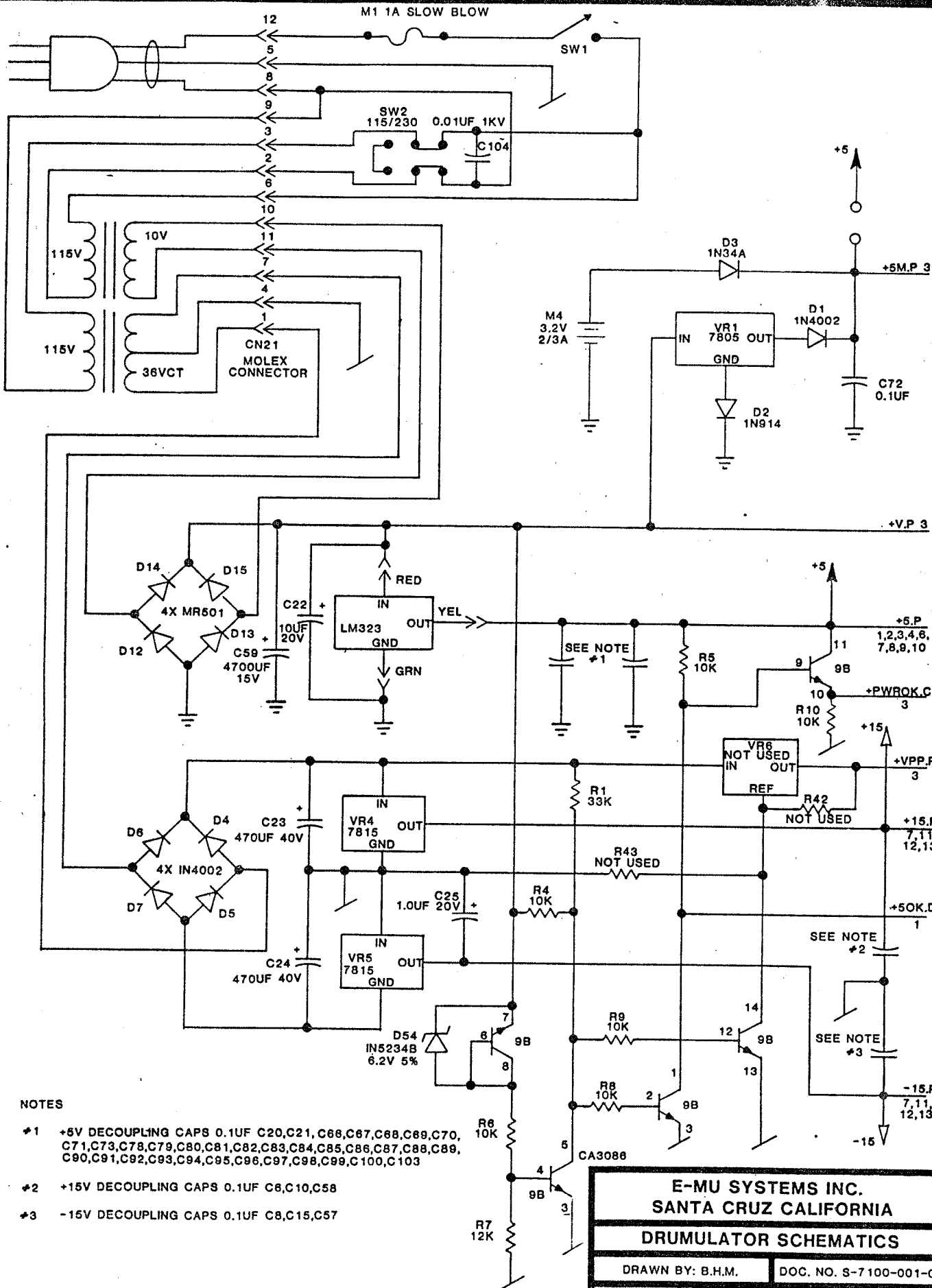
E-MU SYSTEMS INC.
SANTA CRUZ CALIFORNIA

DRUMULATOR SCHEMATICS

DRAWN BY: B.H.M. DOC. NO. S-7100-001-01

APPRV. BY: D.P.R. CHECKED BY: E.R.

REVISION 1 APRIL 11 1983 PAGE NO. 13



NOTES

- #1 +6V DECOUPLING CAPS 0.1UF C20,C21,C68,C67,C68,C69,C70,C71,C73,C78,C79,C80,C81,C82,C83,C84,C85,C86,C87,C88,C89,C90,C91,C92,C93,C94,C95,C96,C97,C98,C99,C100,C103
- #2 +15V DECOUPLING CAPS 0.1UF C6,C10,C58
- #3 -15V DECOUPLING CAPS 0.1UF C8,C15,C57

**E-MU SYSTEMS INC.
SANTA CRUZ CALIFORNIA**

DRUMULATOR SCHEMATICS

| | |
|-------------------|-----------------------|
| DRAWN BY: B.H.M. | DOC. NO. S-7100-001-0 |
| APPRV. BY: D.P.R. | CHECKED BY: E.R. |
| REVISION 1 | APRIL 11 1983 |
| | PAGE NO. 14 |