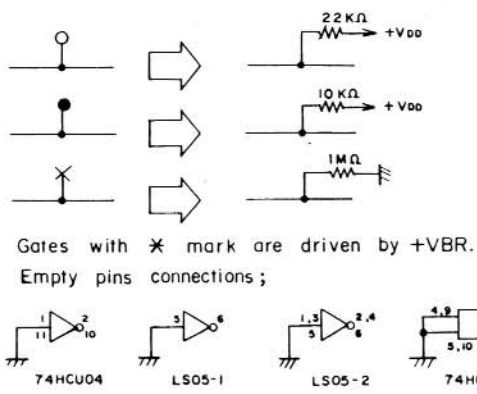
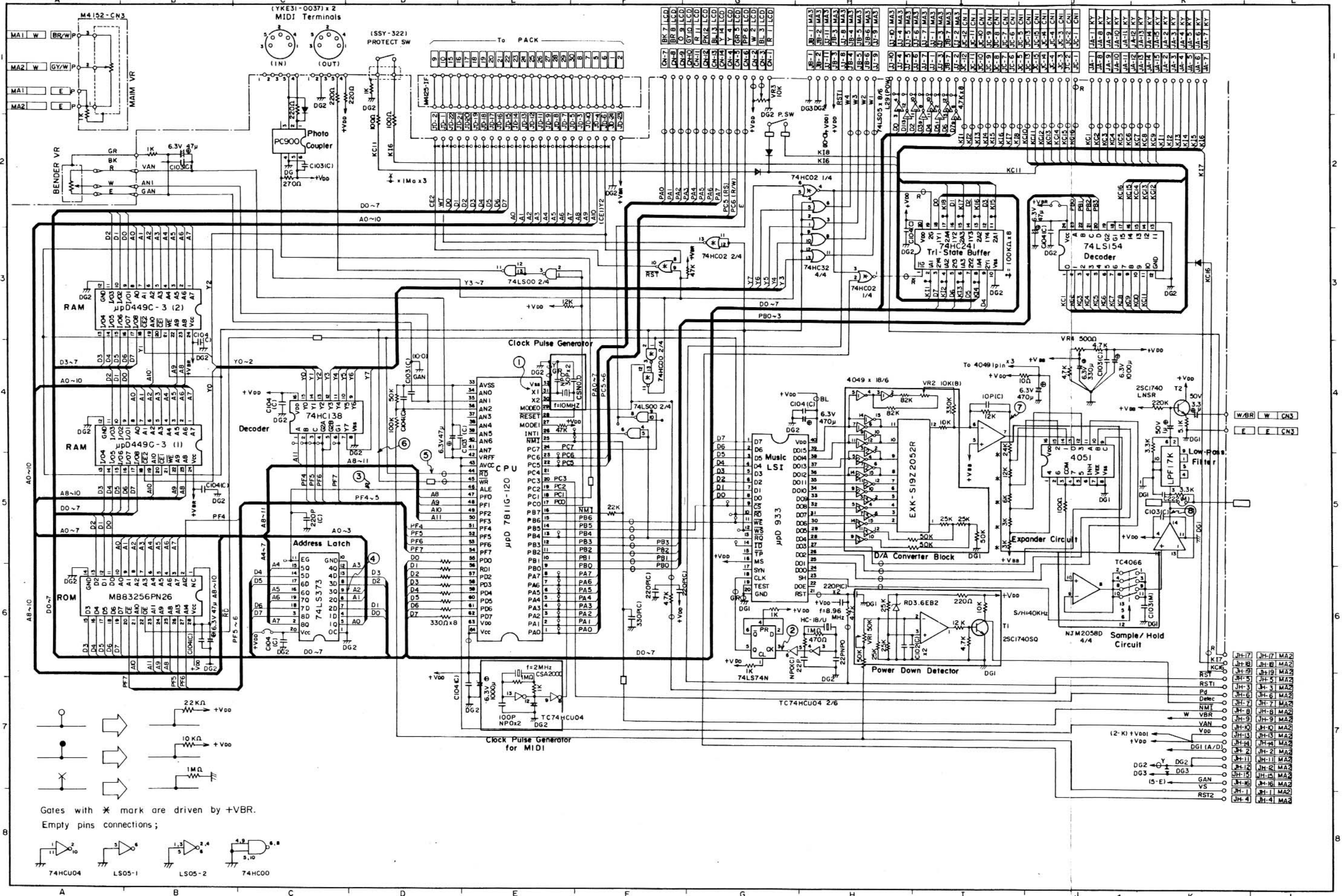


# **CASIO CZ 101 / 1000**

# **SERVICE MANUAL DIAGRAMS**

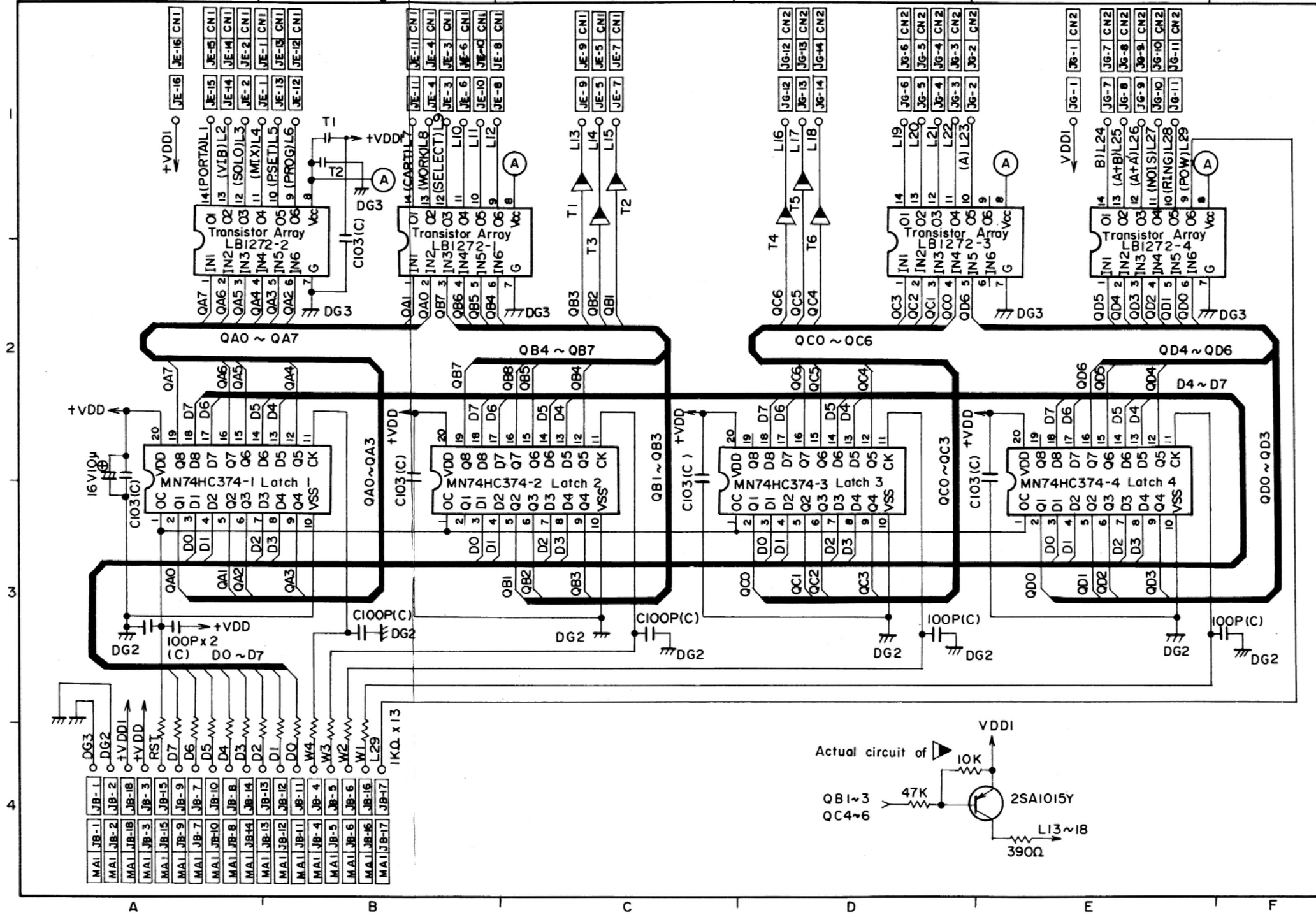
Document Size 420x297mm (A3) - Print at 65% Horizontal on A4 Printer

1. SCHEMATIC DIAGRAM  
1-1. PCBs M4152-MA1M, CN3M

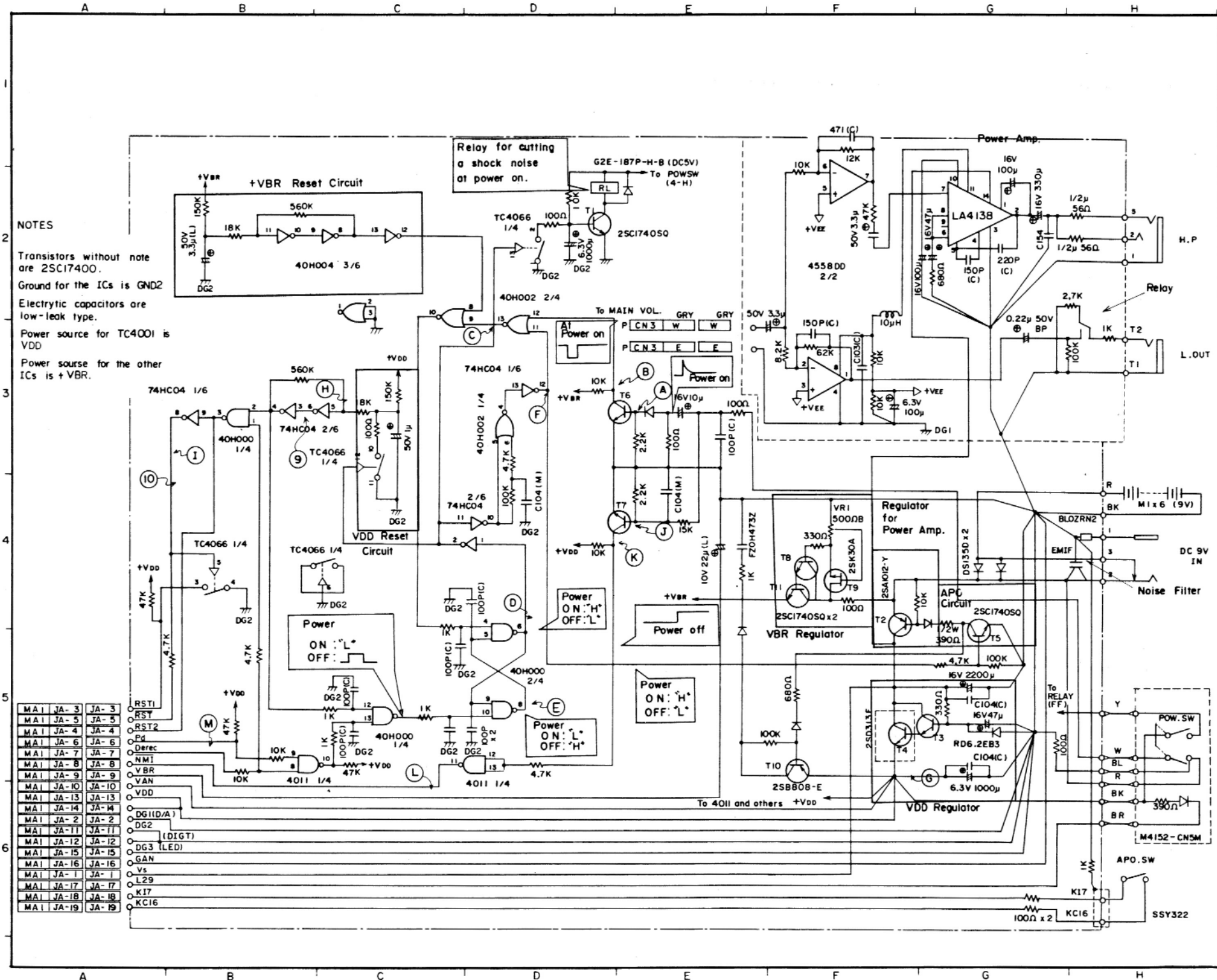


JH-17	JH-17	MA2
JH-18	JH-18	MA2
JH-19	JH-19	MA2
RST1	JH-5	MA2
Pd	JH-6	MA2
Detec	JH-7	MA2
NMI	JH-8	MA2
VBR	JH-9	MA2
VAN	JH-10	MA2
VDD	JH-11	MA2
DG1 (A/D)	JH-12	MA2
DG2	JH-13	MA2
DG3	JH-14	MA2
(S-E)	JH-15	MA2
V5	JH-16	MA2
RST2	JH-1	MA2

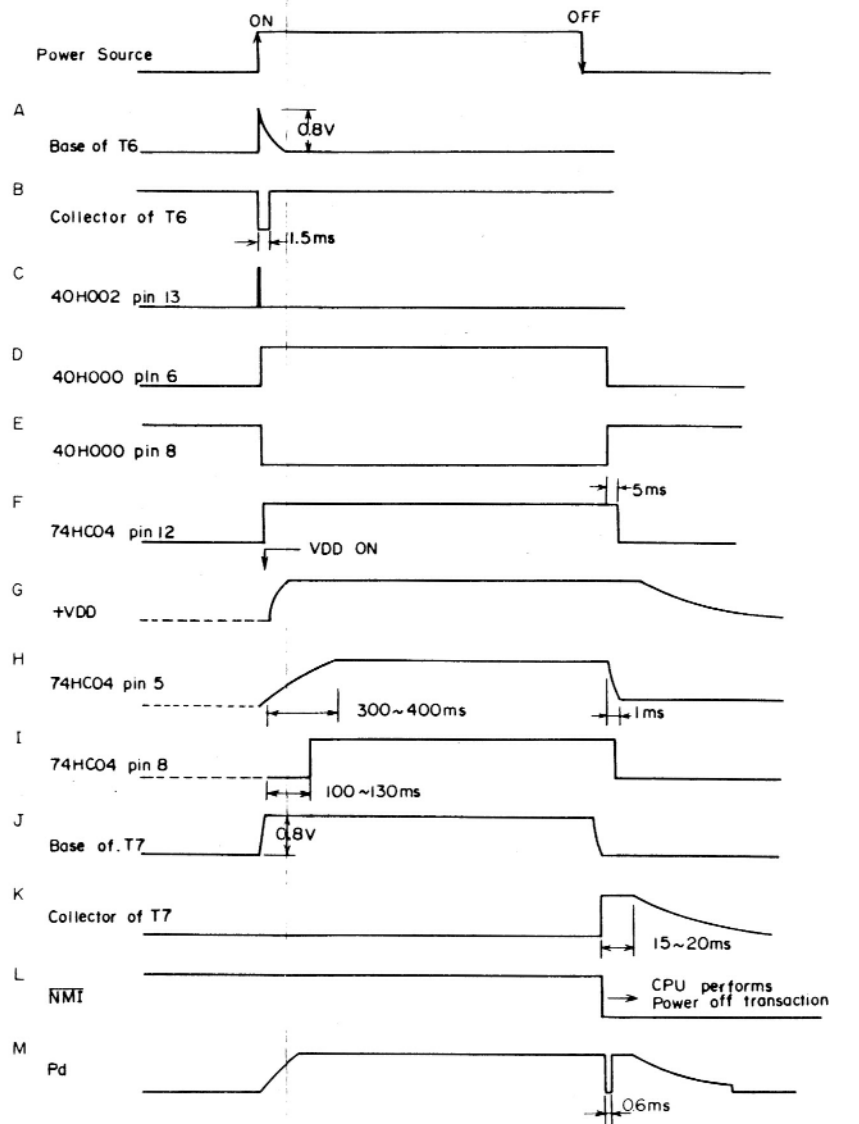
1 - 2. PCB M4152 - MA3M



1-3. PCBs M4152-MA2M, CN5M

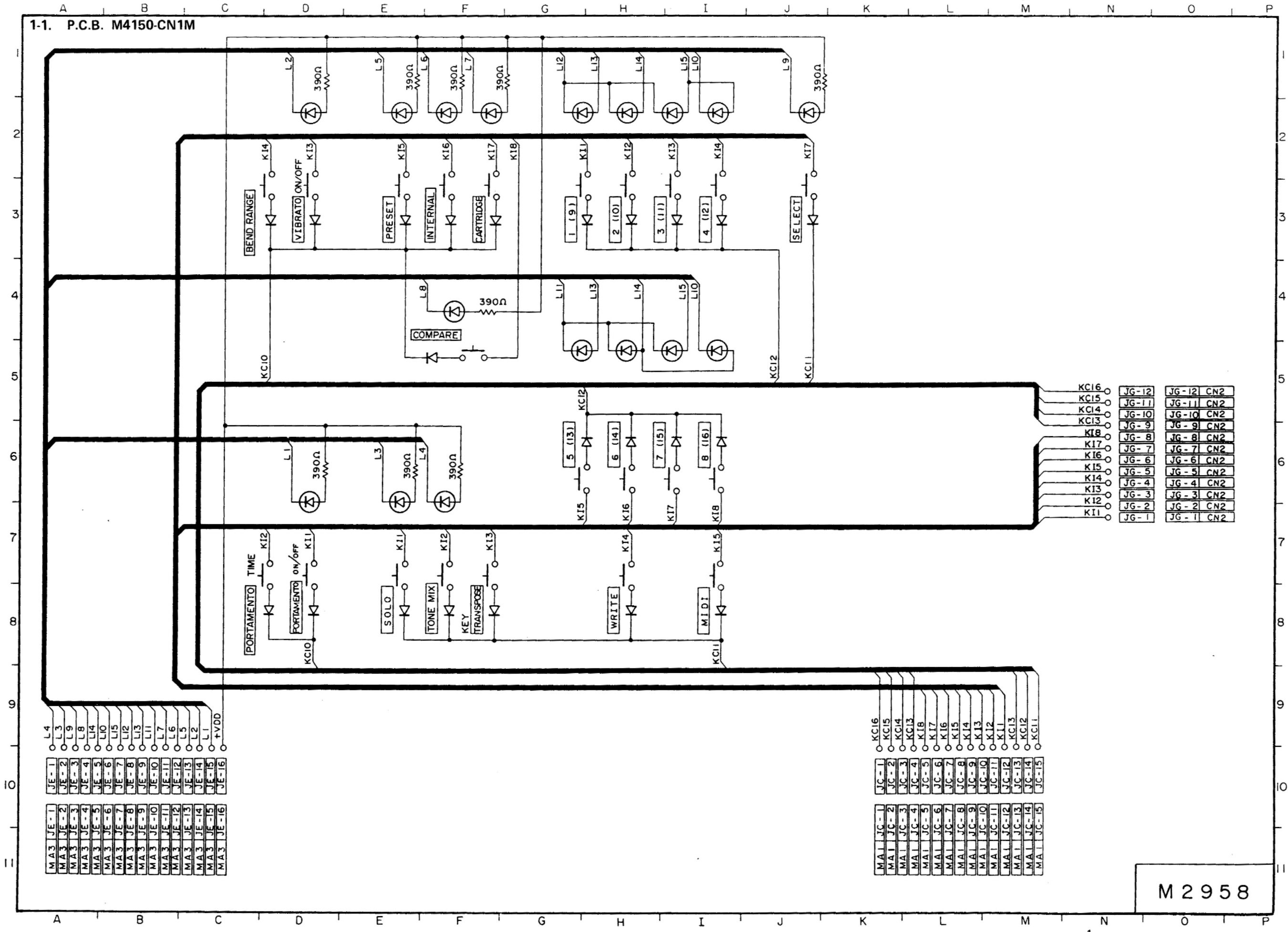


Timing Chart for Power On/Off





1-1. P.C.B. M4150-CN1M

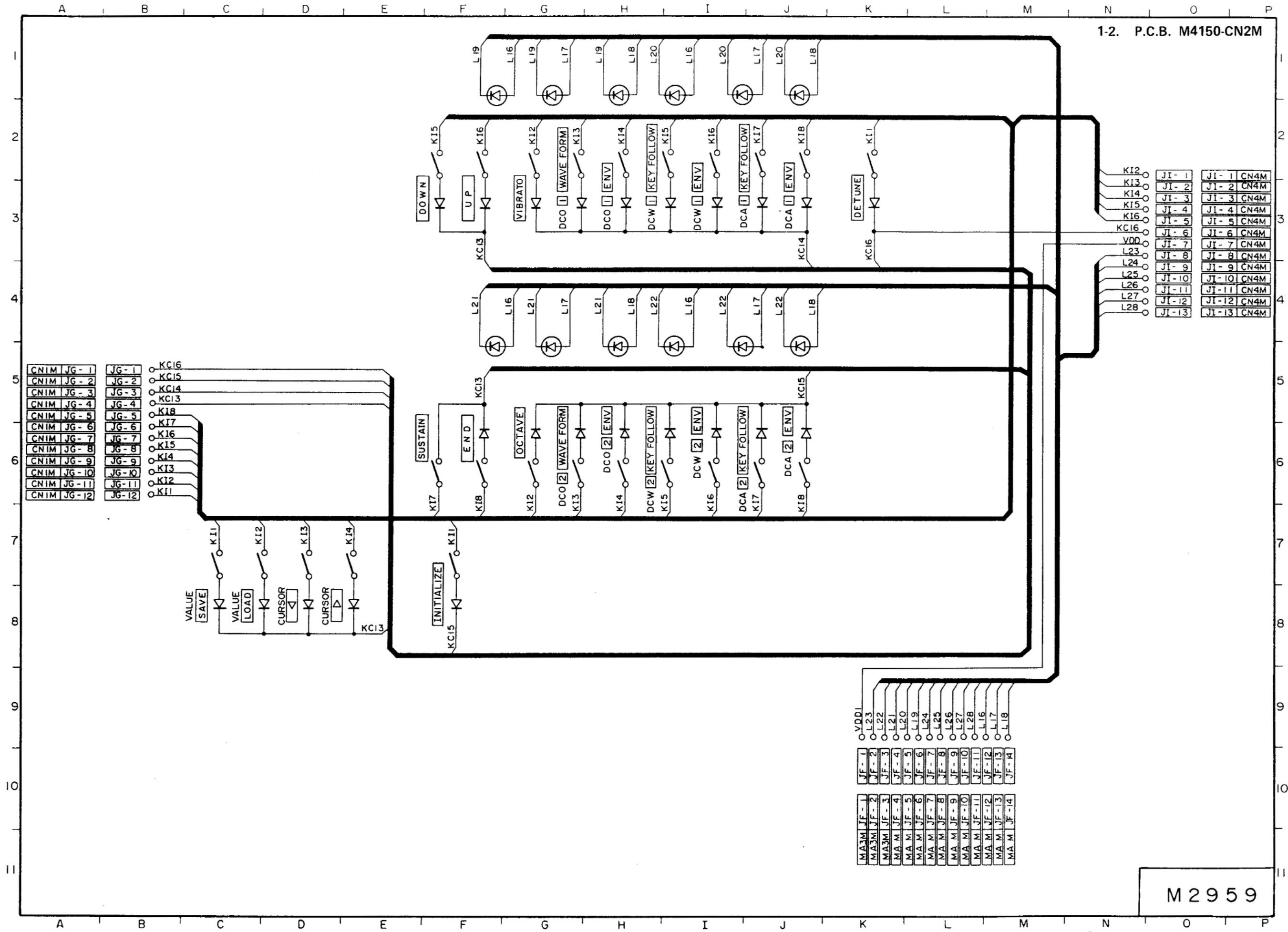


- L4
- L3
- L9
- L8
- L4
- L10
- L15
- L12
- L13
- L11
- L7
- L6
- L2
- L1
- +VDD
- JE-1
- JE-2
- JE-3
- JE-4
- JE-5
- JE-6
- JE-7
- JE-8
- JE-9
- JE-10
- JE-11
- JE-12
- JE-13
- JE-14
- JE-15
- JE-16
- MA3 JE-1
- MA3 JE-2
- MA3 JE-3
- MA3 JE-4
- MA3 JE-5
- MA3 JE-6
- MA3 JE-7
- MA3 JE-8
- MA3 JE-9
- MA3 JE-10
- MA3 JE-11
- MA3 JE-12
- MA3 JE-13
- MA3 JE-14
- MA3 JE-15
- MA3 JE-16

- KC16
- KC15
- KC14
- KC13
- K18
- K17
- K16
- K15
- K14
- K13
- K12
- K11
- KC13
- KC12
- KC11
- JC-1
- JC-2
- JC-3
- JC-4
- JC-5
- JC-6
- JC-7
- JC-8
- JC-9
- JC-10
- JC-11
- JC-12
- JC-13
- JC-14
- JC-15
- MA1 JC-1
- MA1 JC-2
- MA1 JC-3
- MA1 JC-4
- MA1 JC-5
- MA1 JC-6
- MA1 JC-7
- MA1 JC-8
- MA1 JC-9
- MA1 JC-10
- MA1 JC-11
- MA1 JC-12
- MA1 JC-13
- MA1 JC-14
- MA1 JC-15

- KC16
- KC15
- KC14
- KC13
- K18
- K17
- K16
- K15
- K14
- K13
- K12
- K11
- JG-12
- JG-11
- JG-10
- JG-9
- JG-8
- JG-7
- JG-6
- JG-5
- JG-4
- JG-3
- JG-2
- JG-1
- JG-12 CN2
- JG-11 CN2
- JG-10 CN2
- JG-9 CN2
- JG-8 CN2
- JG-7 CN2
- JG-6 CN2
- JG-5 CN2
- JG-4 CN2
- JG-3 CN2
- JG-2 CN2
- JG-1 CN2

M2958



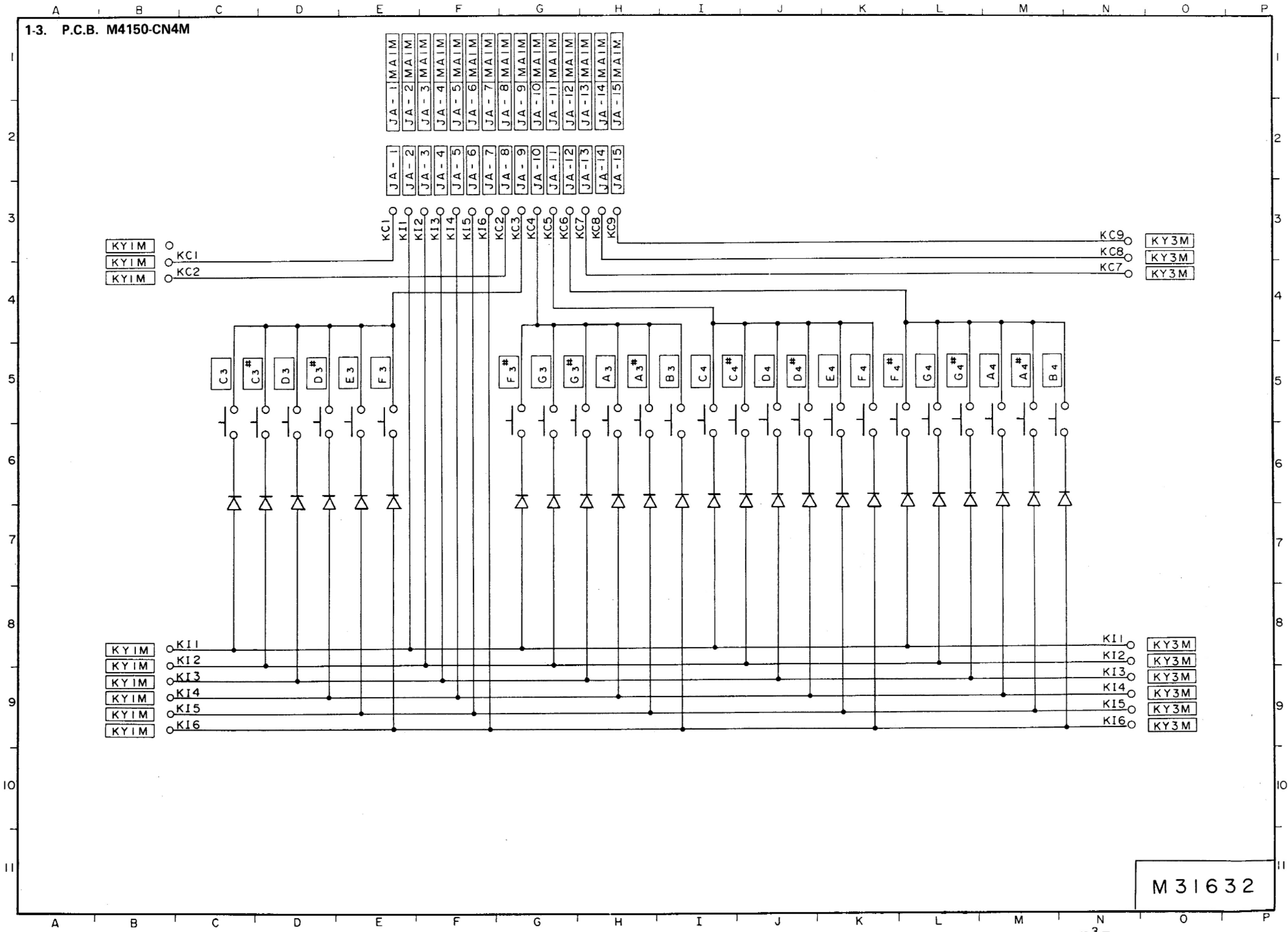
CNIM JG-1	JG-1	KC16
CNIM JG-2	JG-2	KC15
CNIM JG-3	JG-3	KC14
CNIM JG-4	JG-4	KC13
CNIM JG-5	JG-5	K18
CNIM JG-6	JG-6	K17
CNIM JG-7	JG-7	K16
CNIM JG-8	JG-8	K15
CNIM JG-9	JG-9	K14
CNIM JG-10	JG-10	K13
CNIM JG-11	JG-11	K12
CNIM JG-12	JG-12	K11

K12	JI-1	JI-1 CN4M
K13	JI-2	JI-2 CN4M
K14	JI-3	JI-3 CN4M
K15	JI-4	JI-4 CN4M
K16	JI-5	JI-5 CN4M
KC16	JI-6	JI-6 CN4M
VDD	JI-7	JI-7 CN4M
L23	JI-8	JI-8 CN4M
L24	JI-9	JI-9 CN4M
L25	JI-10	JI-10 CN4M
L26	JI-11	JI-11 CN4M
L27	JI-12	JI-12 CN4M
L28	JI-13	JI-13 CN4M

MA3M JF-1	JF-1
MA3M JF-2	JF-2
MA3M JF-3	JF-3
MA M JF-4	JF-4
MA M JF-5	JF-5
MA M JF-6	JF-6
MA M JF-7	JF-7
MA M JF-8	JF-8
MA M JF-9	JF-9
MA M JF-10	JF-10
MA M JF-11	JF-11
MA M JF-12	JF-12
MA M JF-13	JF-13
MA M JF-14	JF-14

M2959

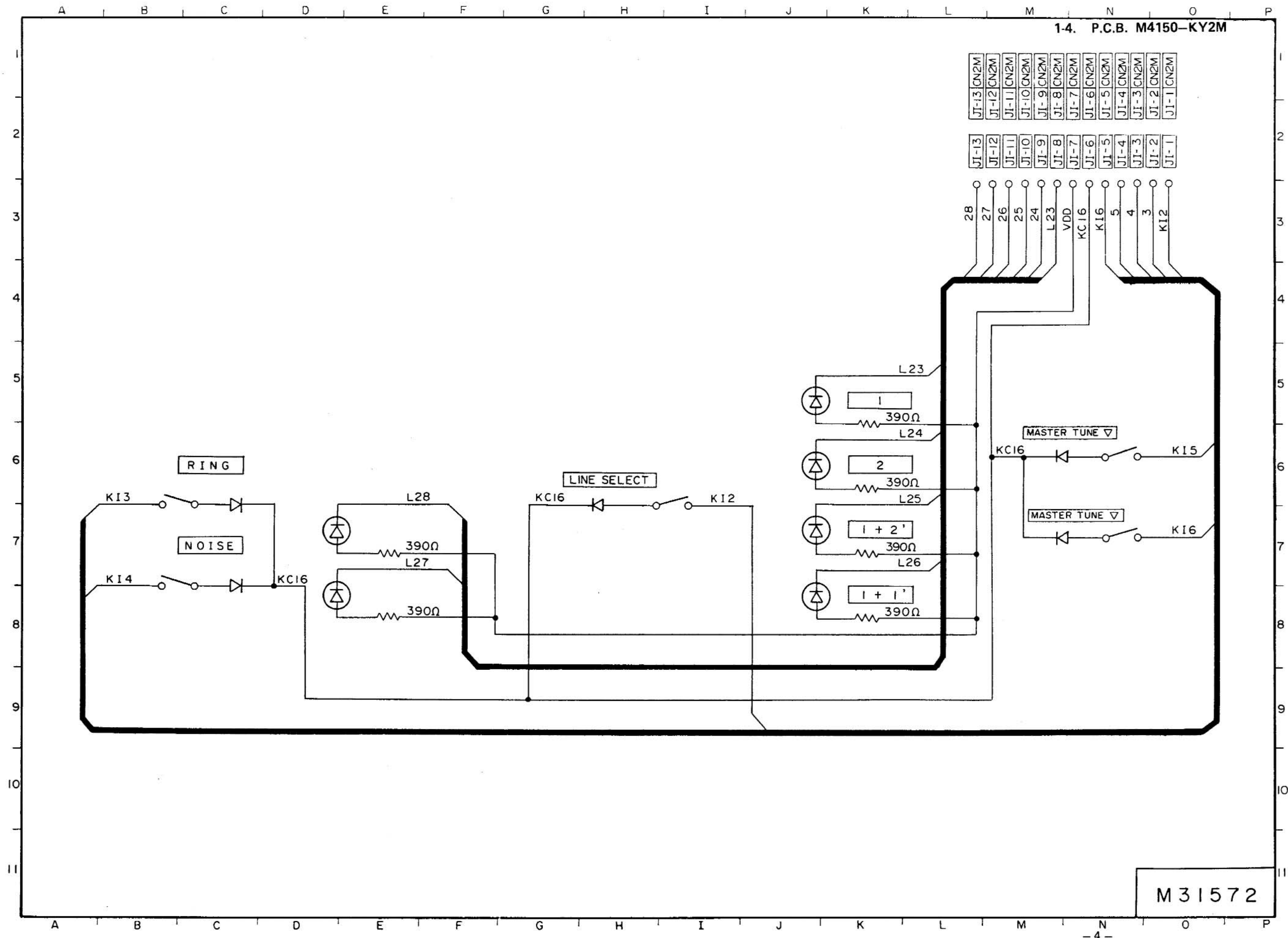
1-3. P.C.B. M4150-CN4M



M 31632

J1-13	CN2M
J1-12	CN2M
J1-11	CN2M
J1-10	CN2M
J1-9	CN2M
J1-8	CN2M
J1-7	CN2M
J1-6	CN2M
J1-5	CN2M
J1-4	CN2M
J1-3	CN2M
J1-2	CN2M
J1-1	CN2M

J1-13	
J1-12	
J1-11	
J1-10	
J1-9	
J1-8	
J1-7	
J1-6	
J1-5	
J1-4	
J1-3	
J1-2	
J1-1	



M31572