

Electro-Harmonix

27 WEST 23RD STREET NEW YORK, N.Y. 10010 (212) 741-1770

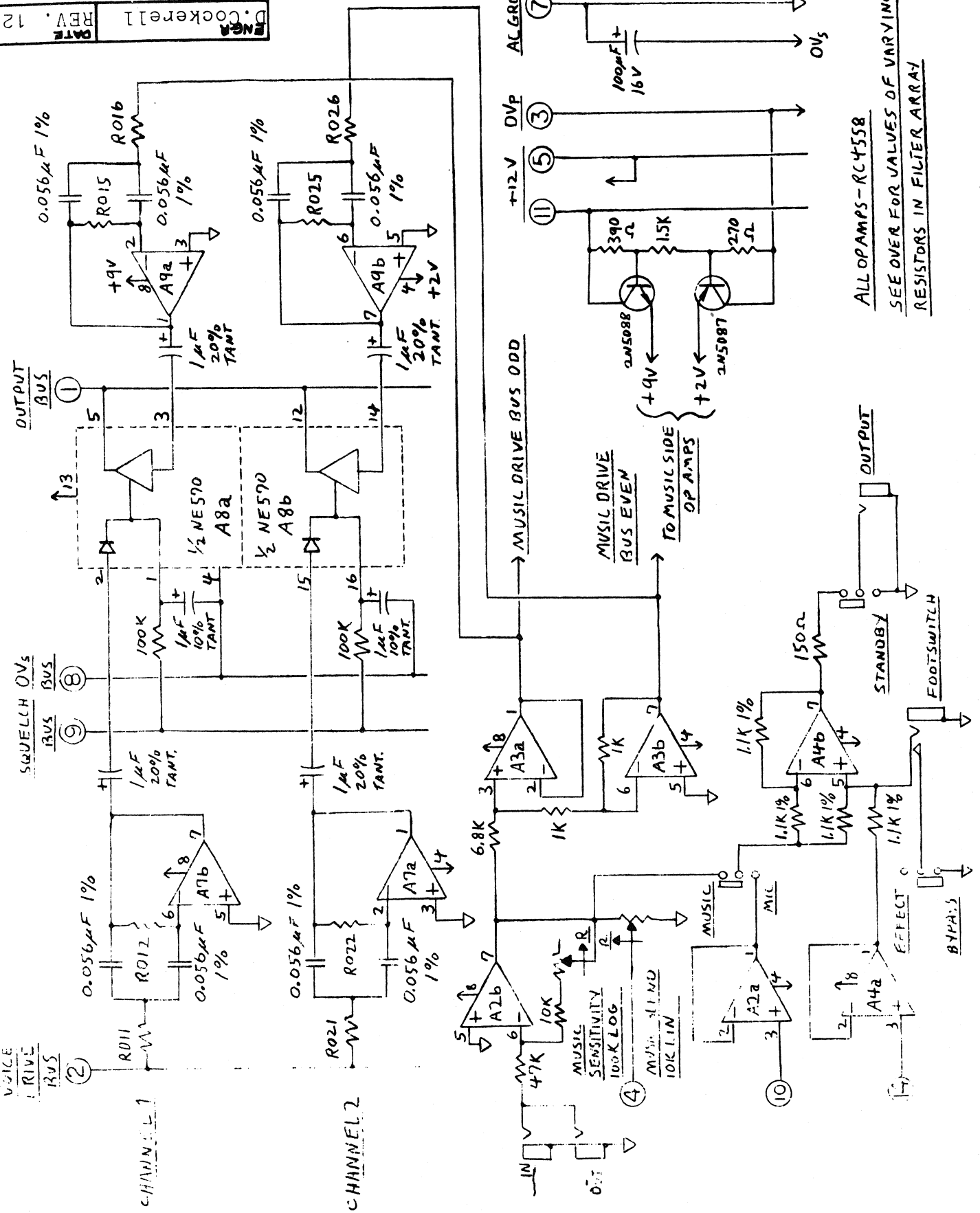
PART NO. EHO300

2 OF 2 SHEET REVISION

TITLE VOCODER PC0300-1 FILTERS, DRIVE & OUTPUT

DATE 12/12/78

DESIGNED BY D. COCKERELL



ALL OP AMPS - RC4558
SEE OVER FOR VALUES OF VARYING RESISTORS IN FILTER ARRAY

TABLE OF COMPONENT VALUES--VOCODER FILTER ARRAY

CHANNEL NO.	IC's	NOMINAL F _C (HZ)	RXX1 (OHMS-1%)	RXX2 (OHMS-1%)
1	7-9	246.1	1100	121.0K
2	7-9	298.2	909	100.0K
3	10-12	361.2	750	82.5K
4	10-12	437.7	619	68.1K
5	13-15	530.2	511	56.2K
6	13-15	642.4	422	46.4K
7	16-18	778.3	348	38.3K
8	16-18	942.9	287	31.6K
9	19-21	1142.3	237	26.1K
10	19-21	1384.0	196	21.5K
11	22-24	1676.7	162	17.8K
12	22-24	2031.4	133	14.7K
13	25-27	2461.1	110	12.1K
14	25-27	2981.7	90.9	10.0K